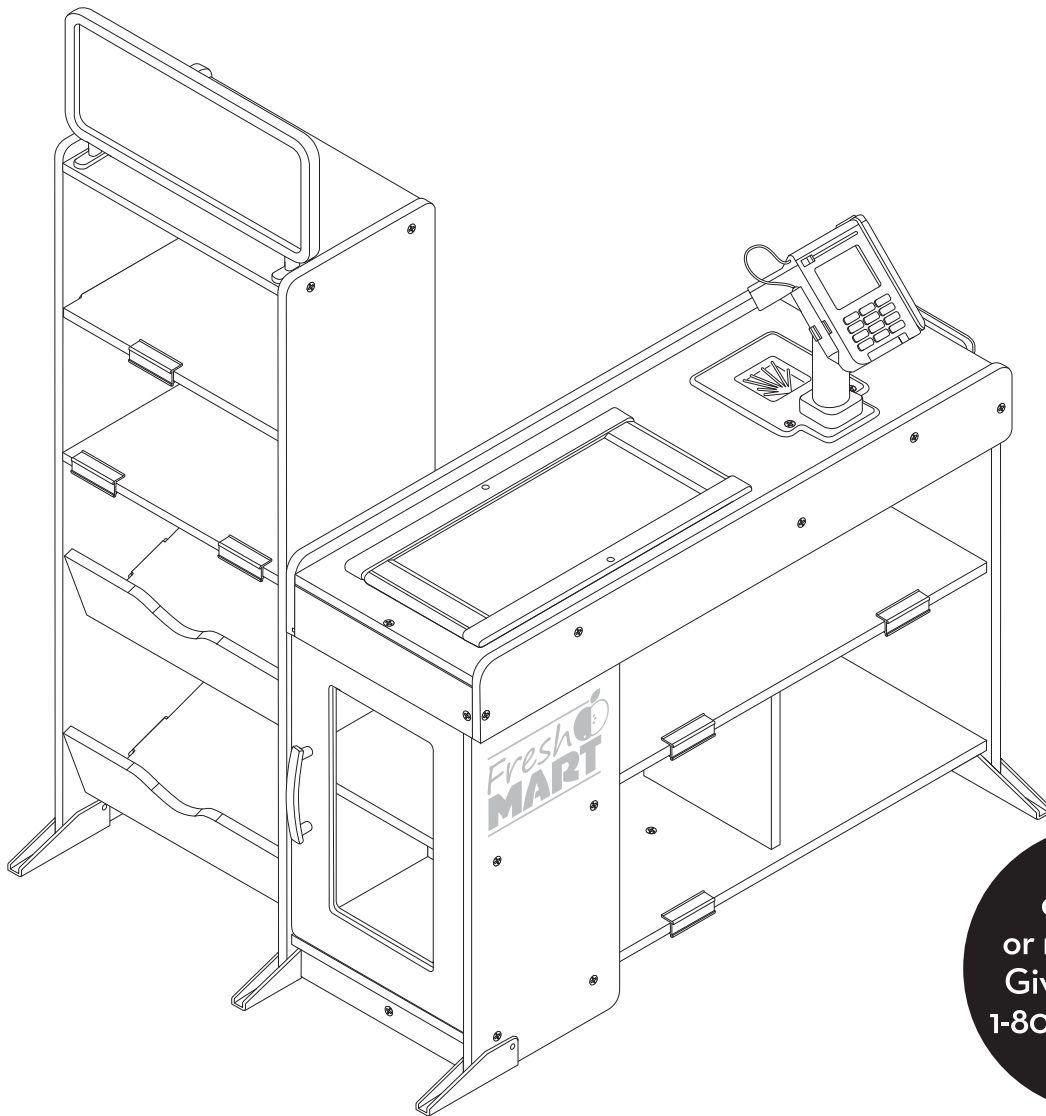




Fresh Mart Grocery Store

ASSEMBLY INSTRUCTIONS



Have a question or need help? Give us a call! 1-800-284-3948

Item #9340

Melissa & Doug®
We ♥ feedback! Call us: 1-800-284-3948
MelissaAndDoug.com

Melissa & Doug products meet or exceed all U.S. toy testing standards and pass our high quality requirements.
© Melissa & Doug, LLC, P.O. Box 590, Westport, CT 06881
MADE IN CHINA

⚠ WARNING:
ADULT ASSEMBLY REQUIRED.
Contains small parts before assembly.

Ages 3+

THANK YOU!

Thank you for choosing the Melissa & Doug Fresh Mart Grocery Store! It's a terrific way to help children stock up on creativity and imagination, and to inspire delicious pretend play for years to come.

NOW IT'S TIME TO PUT IT TOGETHER!

Don't worry, assembling your new grocery store is simple, and we're here to help. It may go a little faster with a partner to lend a hand, but we've made it so one person can assemble the grocery store. Here are a few tips before you begin:

- Read through all the instructions first.
- Clear a flat, covered space (carpeted is best) to lay out all the materials so everything is close at hand.
- You will need a Phillips head screwdriver (not included) to assemble the grocery store. We've included everything else you need. All parts are labeled with a sticker (A-W and 1-23).
- The instructions include lots of helpful pictures—we show you, step-by-step, how to align pieces and parts for speedy and accurate assembly. Note that the hardware needed for each step is shown in the upper right corner of the page, each piece being added in a given step is highlighted in gray, and the “assembled view” (what it looks like in the completed product when the step is completed) is included in the lower right corner of every page.
- In the instructions, the name of a part is followed by a letter or number in parentheses. This letter or number corresponds to the sticker on the part, as well as the picture of the part shown on pages 3-4.
- Helpful hints are highlighted with a large exclamation point.



IMPORTANT: Helpful hints are found here.

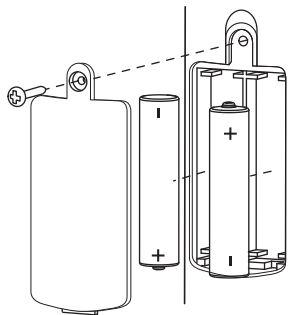
- If you have any questions, we're here for you! Give our customer care team a call at 1-800-284-3948!

WARNINGS!

Retain these instructions for future reference.

Warning—Prevent Tip Overs!

- Do not allow children to pull, climb, or stand on any part of the grocery store.
- Never place computers, televisions, or other heavy objects on top of the grocery store.
- The grocery store must be placed on a hard, flat, and level surface.
- Be sure to install the stabilizing feet.
- For more information on how to prevent furniture tip overs in your home, visit AnchorIt.gov.
- The grocery store must be assembled as instructed.



2x AA (LR6) batteries are required (not included).
Use Phillips tip screwdriver to remove screw from battery cover.
Insert as illustrated. Replace battery cover and screw before use.



CAUTION: Do not mix old and new batteries. Do not mix alkaline and standard (carbon-zinc) or rechargeable (nickel-cadmium) batteries. Do not recharge non-rechargeable batteries. Remove rechargeable batteries from the toy before charging. Charge rechargeable batteries only under adult supervision. Remove exhausted batteries from toy. Do not short circuit the supply terminals. Insert batteries with correct polarity.

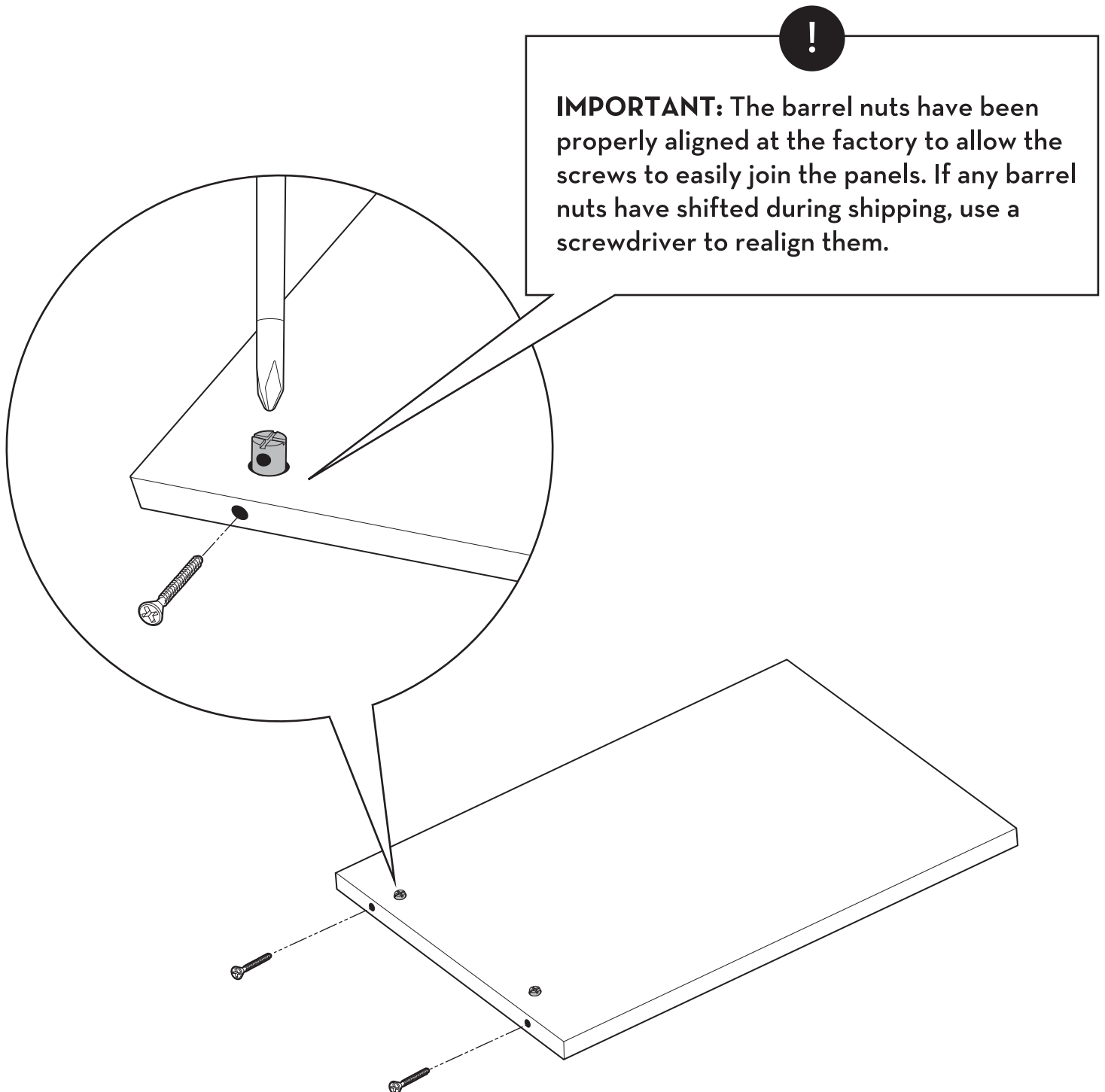
Please retain for information. Remove all packaging before giving the toy to your child.

MAINTENANCE

Ensure the grocery store continues to function properly and safely by regularly checking the hardware and tightening when necessary.

HELPFUL HINTS AND TIPS

You will need a Phillips head screwdriver (not included) to assemble the grocery store. When attaching pieces, be sure screws are tightened snugly, but do not over-tighten.

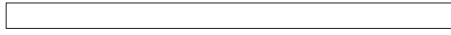


WOODEN PARTS - Be Smart—Sort Your Parts

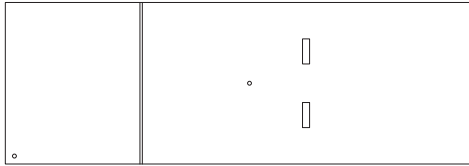
Before you begin assembly, make sure you have all the parts listed below.



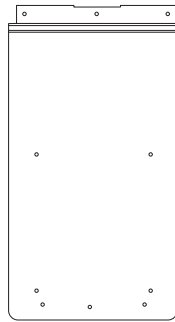
A fridge kickplate



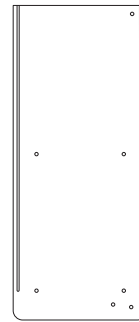
B fridge side plate



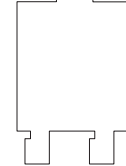
C bottom shelf



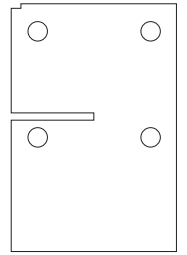
D end counter panel



E fridge side panel



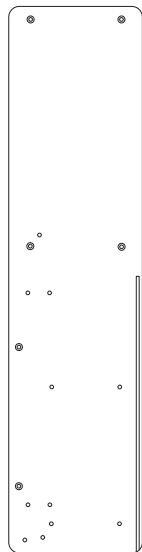
F shelf divider



G lower fridge back panel



H long middle shelf



I right side shelf panel



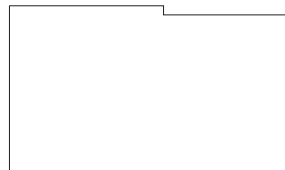
J fridge top panel



K stretcher



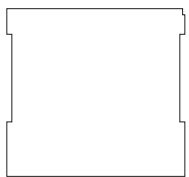
L back counter panel



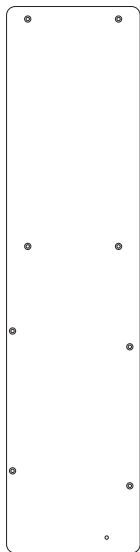
M belt cover



N front counter panel



O drawer cover



Q left side shelf panel



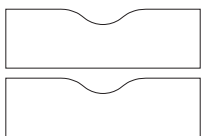
R bin bottom (2)



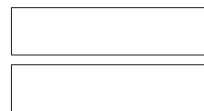
T lower shelf



U middle shelf



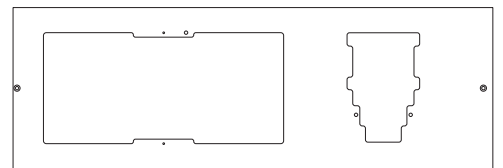
P bin front (2)



S bin back (2)



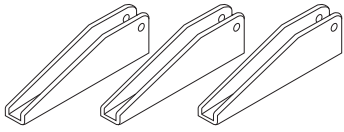
V upper shelf



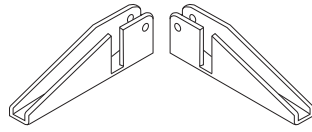
W countertop

Melissa & Doug Customer Care: 1-800-284-3948

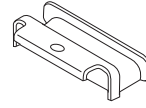
PLASTIC PARTS



1 stabilizer foot (3)



2 notched stabilizer foot (2)



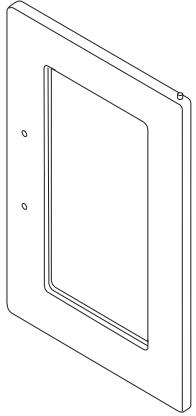
3 bag hanger



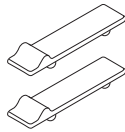
4 door handle



5 handle lock



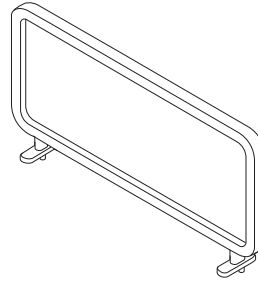
6 refrigerator door



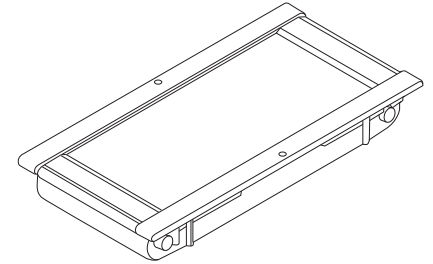
7 door catch (2)



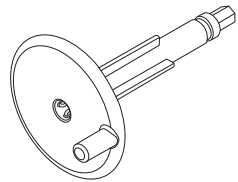
8 scanner



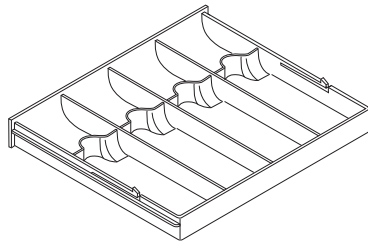
9 sign



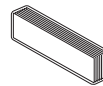
10 conveyor



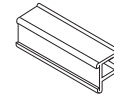
11 conveyor crank



12 cash drawer



13 shelf labels (7)

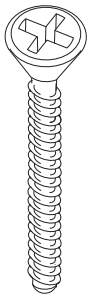


14 shelf clip (7)

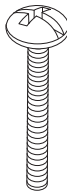


15 plastic card

HARDWARE (shown actual size)



16 long screw (45)



17 bolt (5)



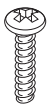
18 lock nut (5)



19 wood dowel (12)



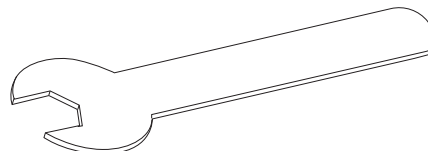
20 medium screw (2)



21 small screw (2)



22 barrel nut (5 extras)

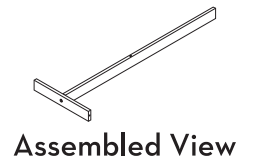
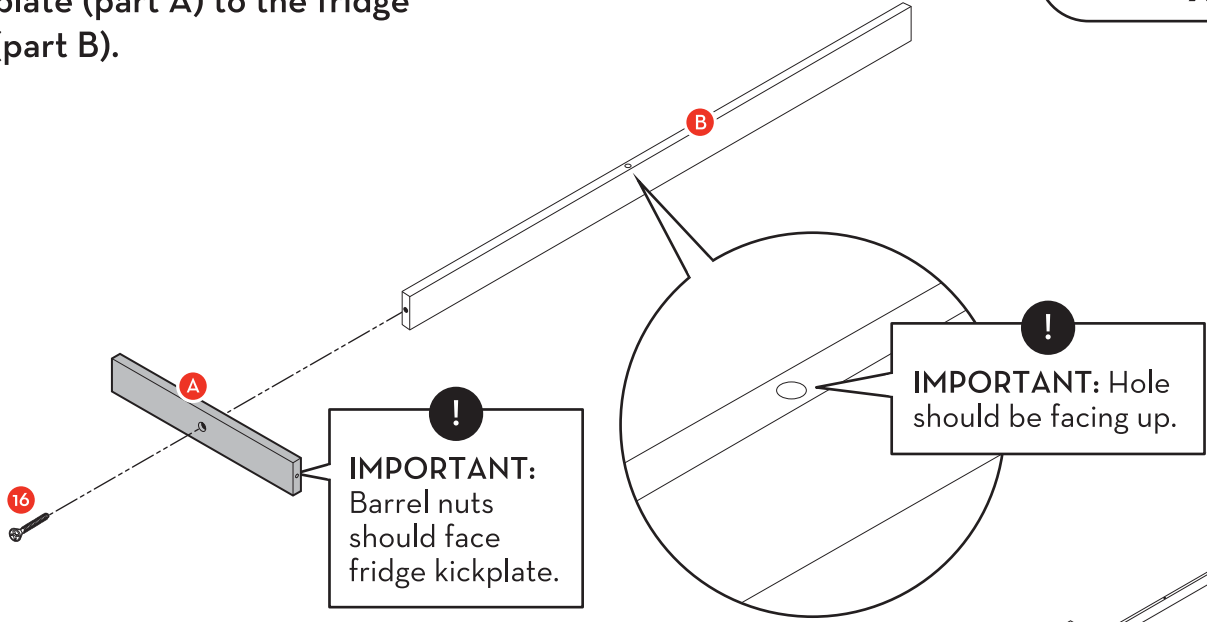
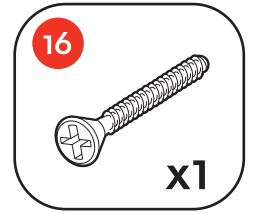


23 wrench

!
IMPORTANT: Some packages of hardware may have extra pieces.

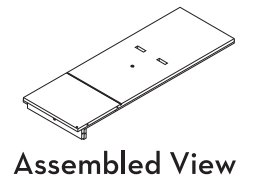
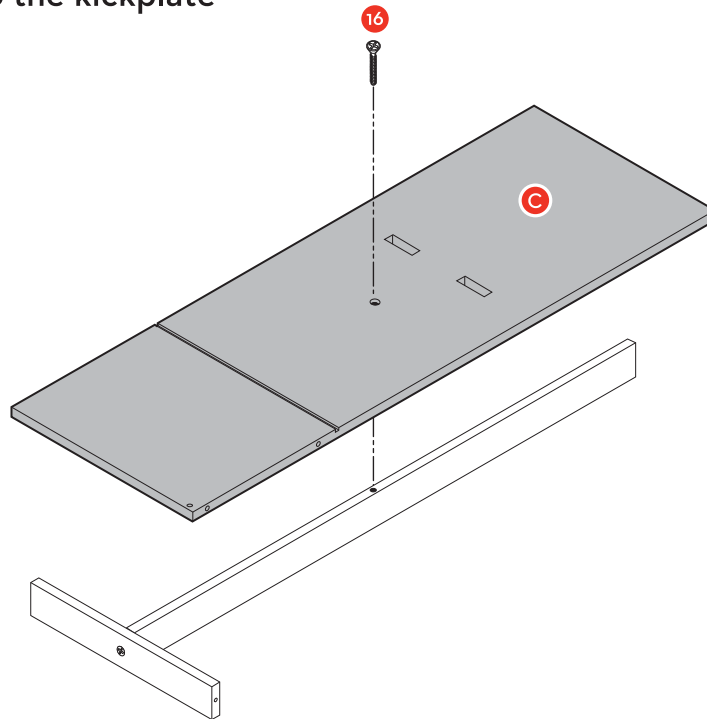
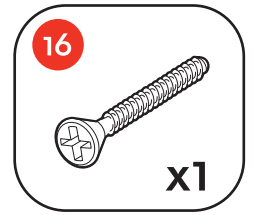
STEP 1 - Every Journey Begins with the First Step

Using 1 long screw (part 16), attach the fridge kickplate (part A) to the fridge side plate (part B).



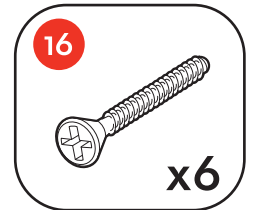
STEP 2 - Kick Off

Using 1 long screw (part 16), attach the bottom shelf (part C) to the kickplate assembly.

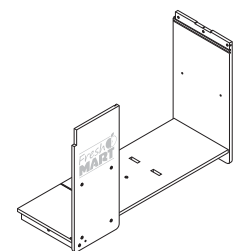
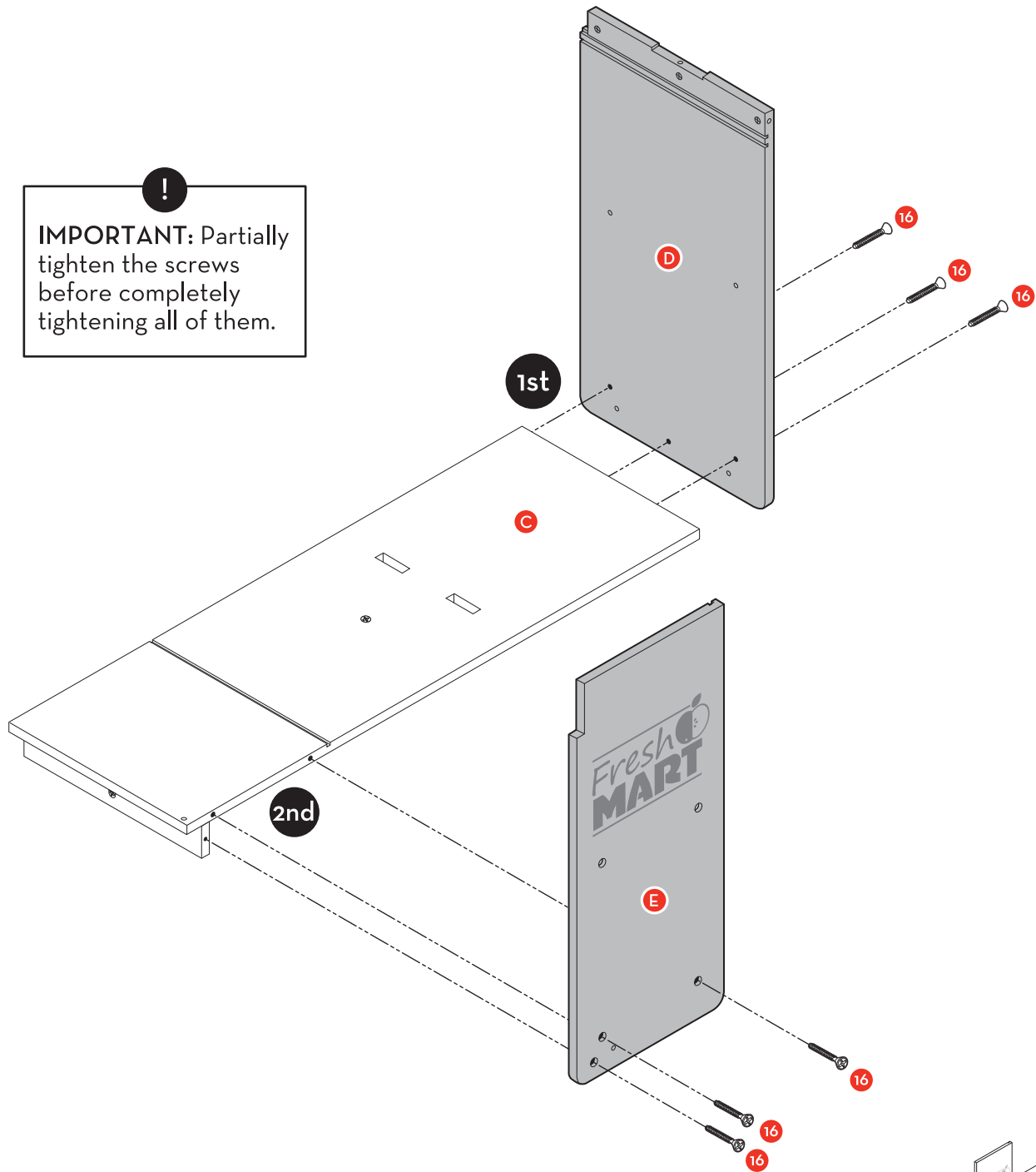


STEP 3 - This Is the End (Panel)

- First, using 3 long screws (part 16), attach the end counter panel (part D) to the bottom shelf (part C).
- Second, using 3 long screws (part 16), attach the fridge side panel (part E) to the bottom shelf.



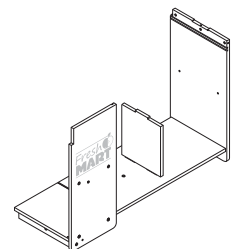
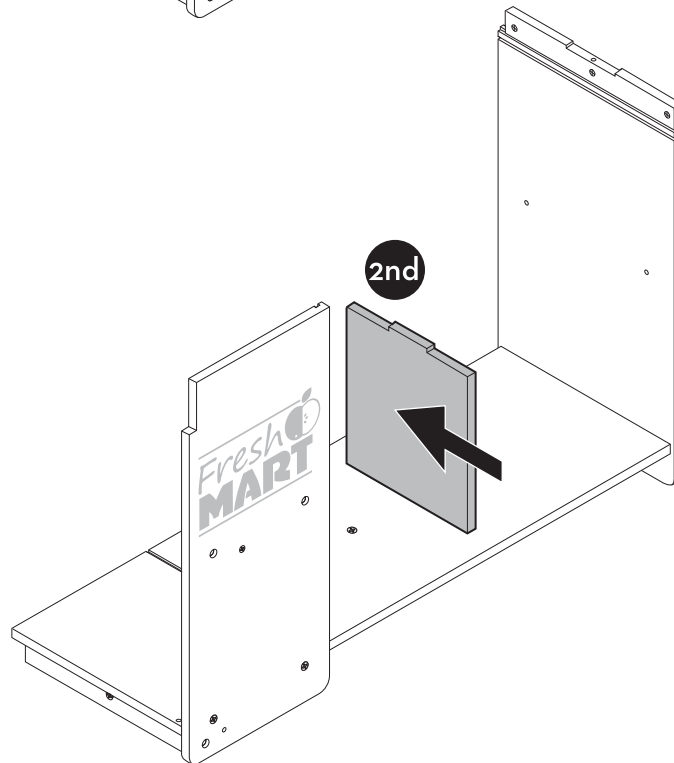
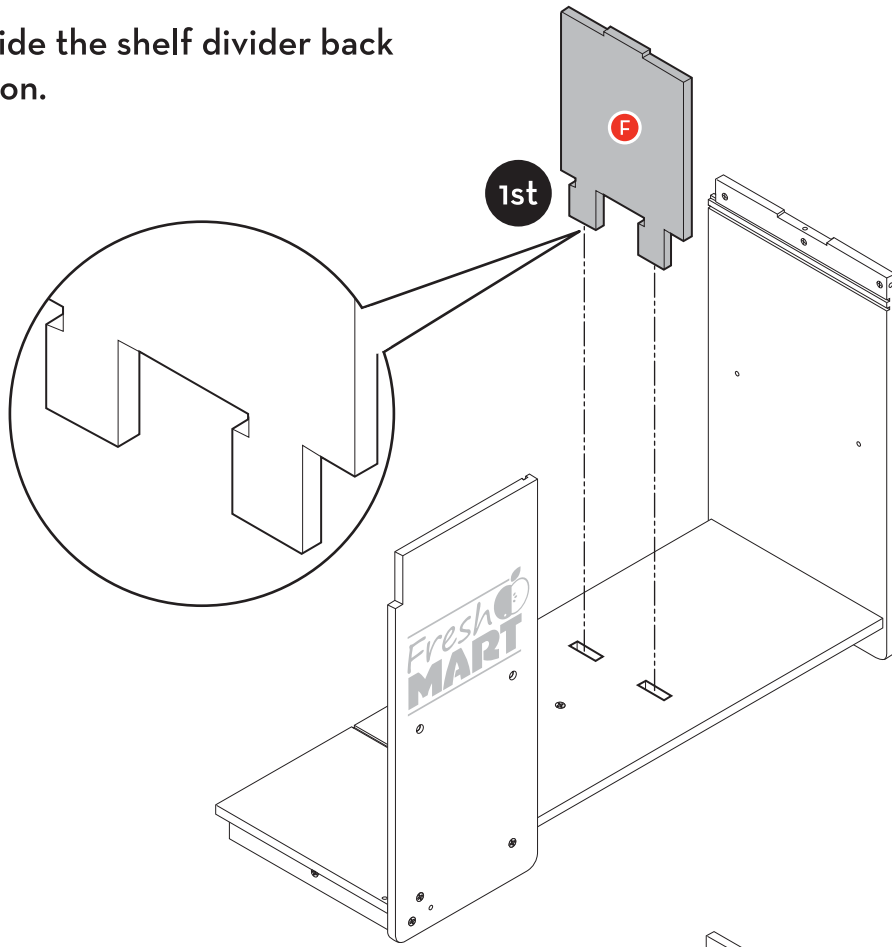
!
IMPORTANT: Partially tighten the screws before completely tightening all of them.



Assembled View

STEP 4 - Divide & Conquer

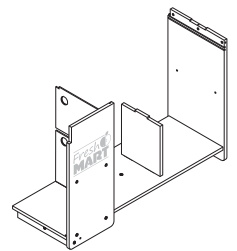
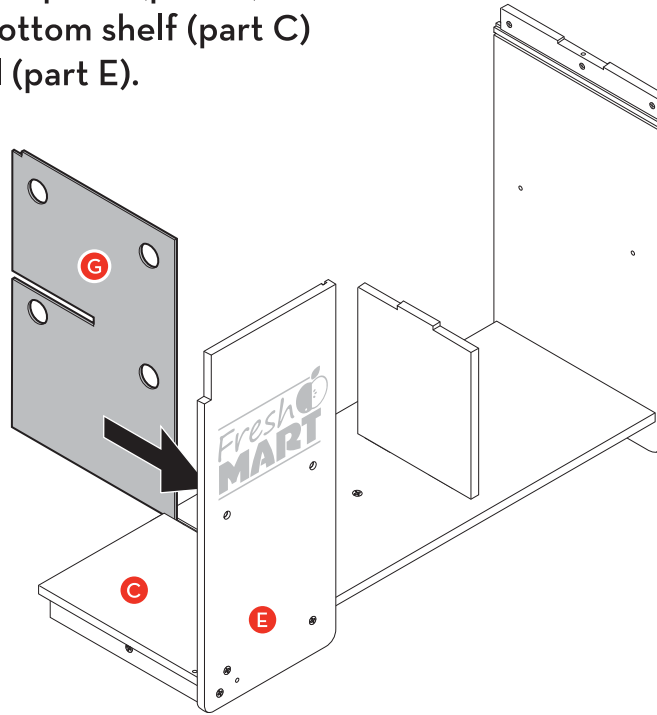
- First, insert the shelf divider (part F) into the 2 slots in the bottom shelf.
- Second, slide the shelf divider back into position.



Assembled View

STEP 5 - Feeling Groovy

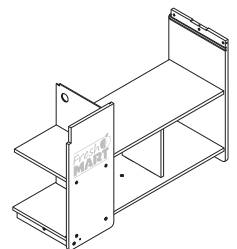
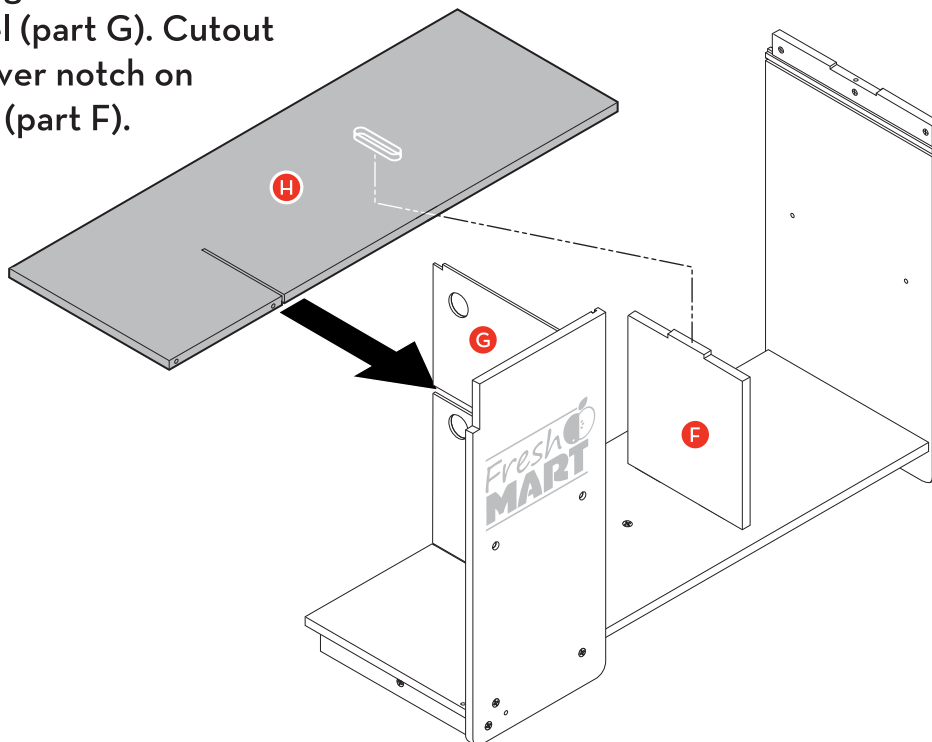
Slide the lower fridge back panel (part G) into the grooves in the bottom shelf (part C) and the fridge side panel (part E).



Assembled View

STEP 6 - Center Yourself

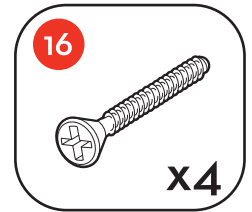
Slide the groove in the long middle shelf (part H) into the groove in the lower fridge back panel (part G). Cutout on shelf will fit over notch on the shelf divider (part F).



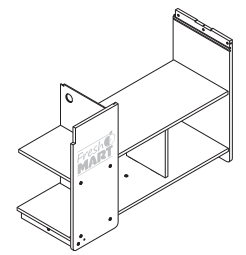
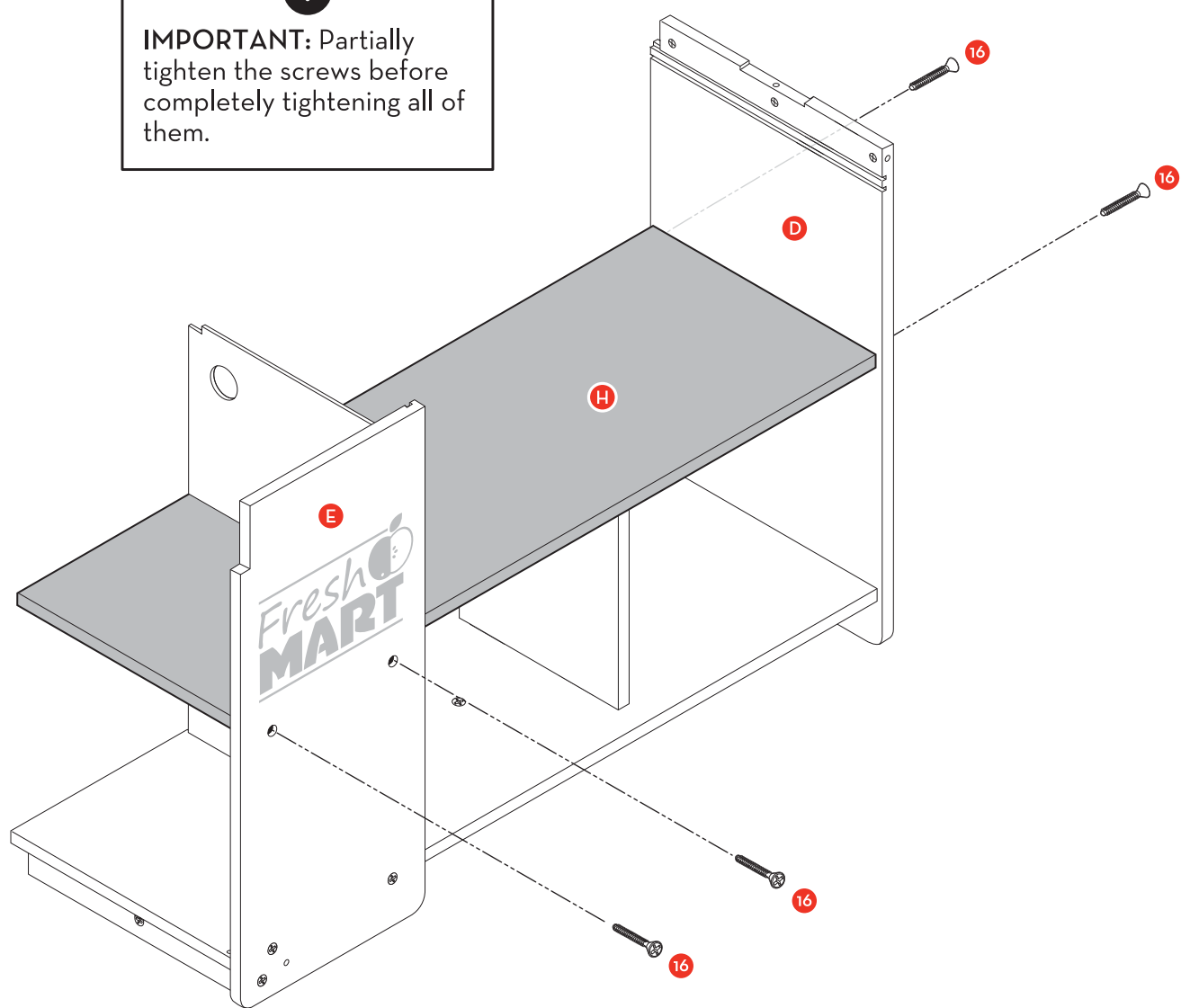
Assembled View

STEP 7 - Get Attached

Using 4 long screws (part 16), attach the long middle shelf (part H) to the counter base (parts D and E).



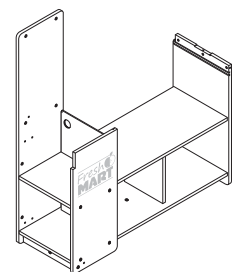
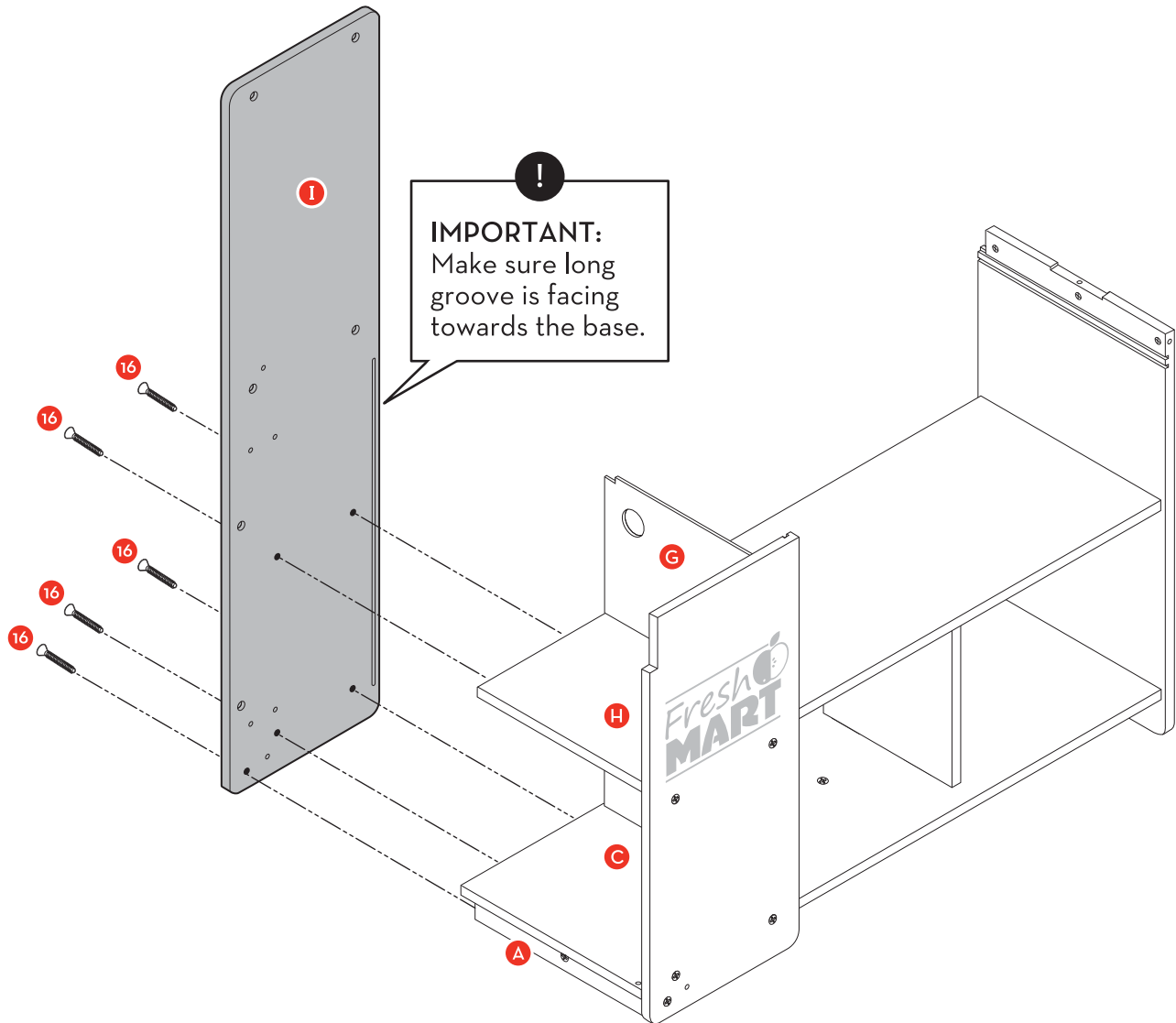
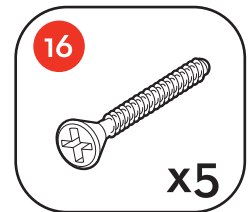
!
IMPORTANT: Partially tighten the screws before completely tightening all of them.



Assembled View

STEP 8 - That's Right

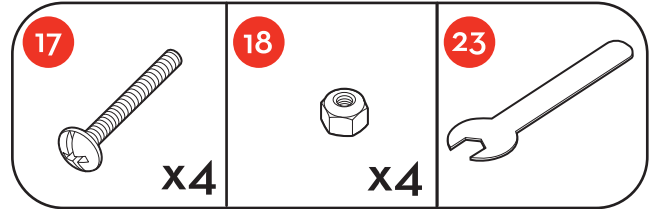
Using 5 long screws (part 16), attach the right side shelf (part I) to panels A, C, and H. Partially tighten screws. Align groove with the lower fridge back panel (part G) before completely tightening screws.



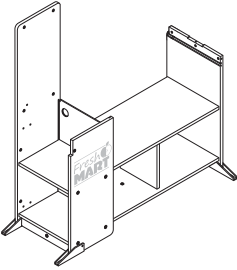
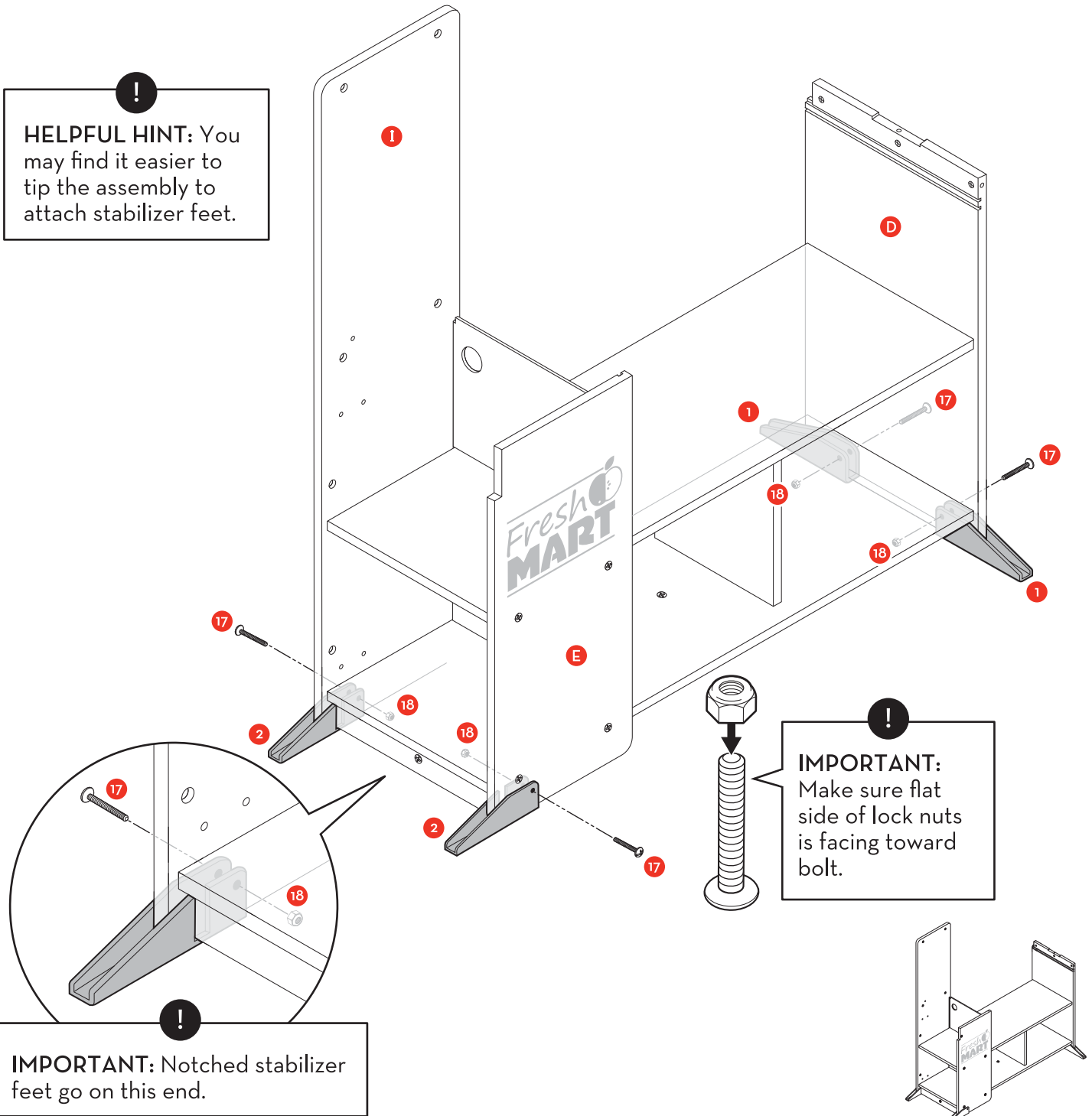
Assembled View

STEP 9 - Can't Beat the Feet

Using 4 bolts (part 17), 4 lock nuts (part 18), and the wrench (part 23), attach 2 stabilizer feet (part 1) to the counter base (part D). Then, attach the 2 notched stabilizer feet (part 2) to the counter base (parts I and E).



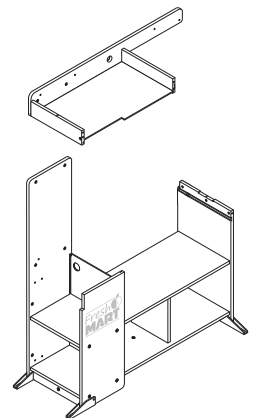
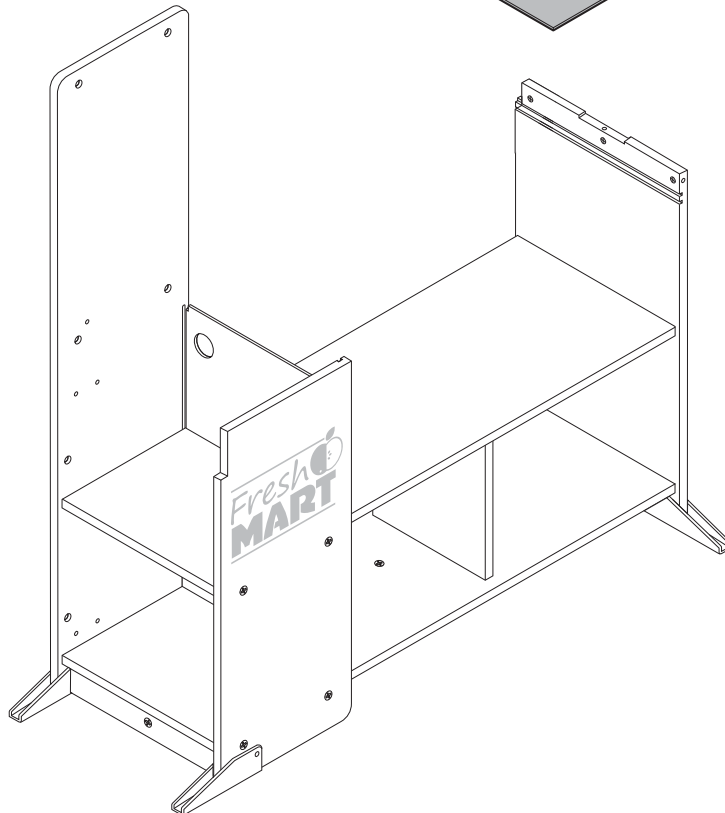
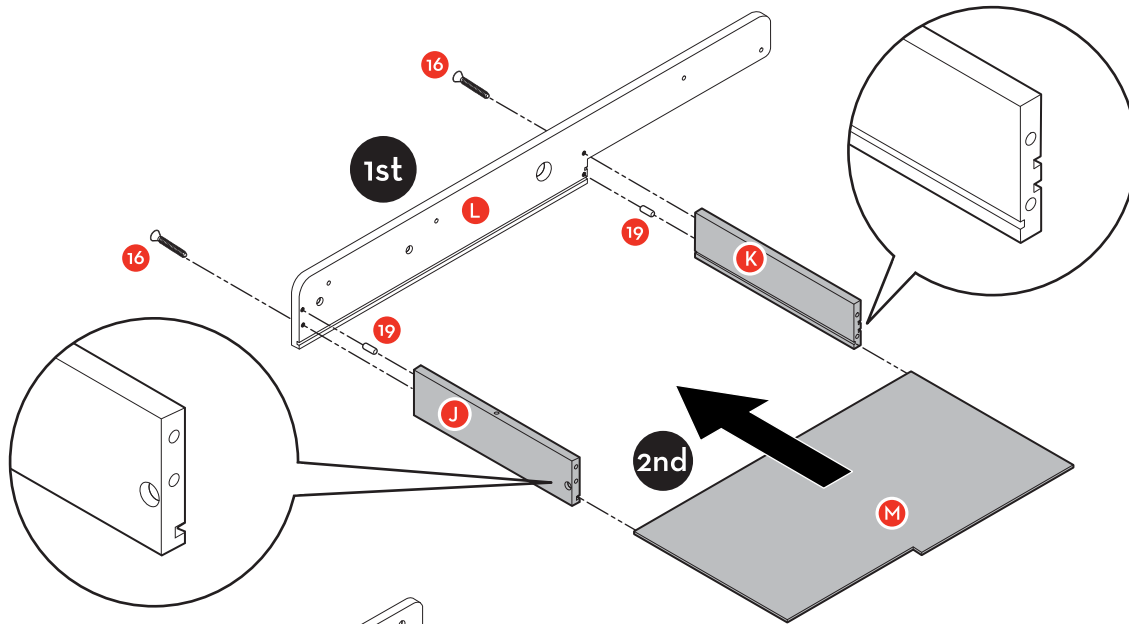
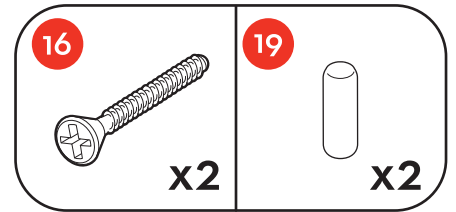
!
HELPFUL HINT: You may find it easier to tip the assembly to attach stabilizer feet.



Assembled View

STEP 10 - Get Into the Groove

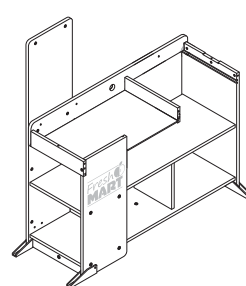
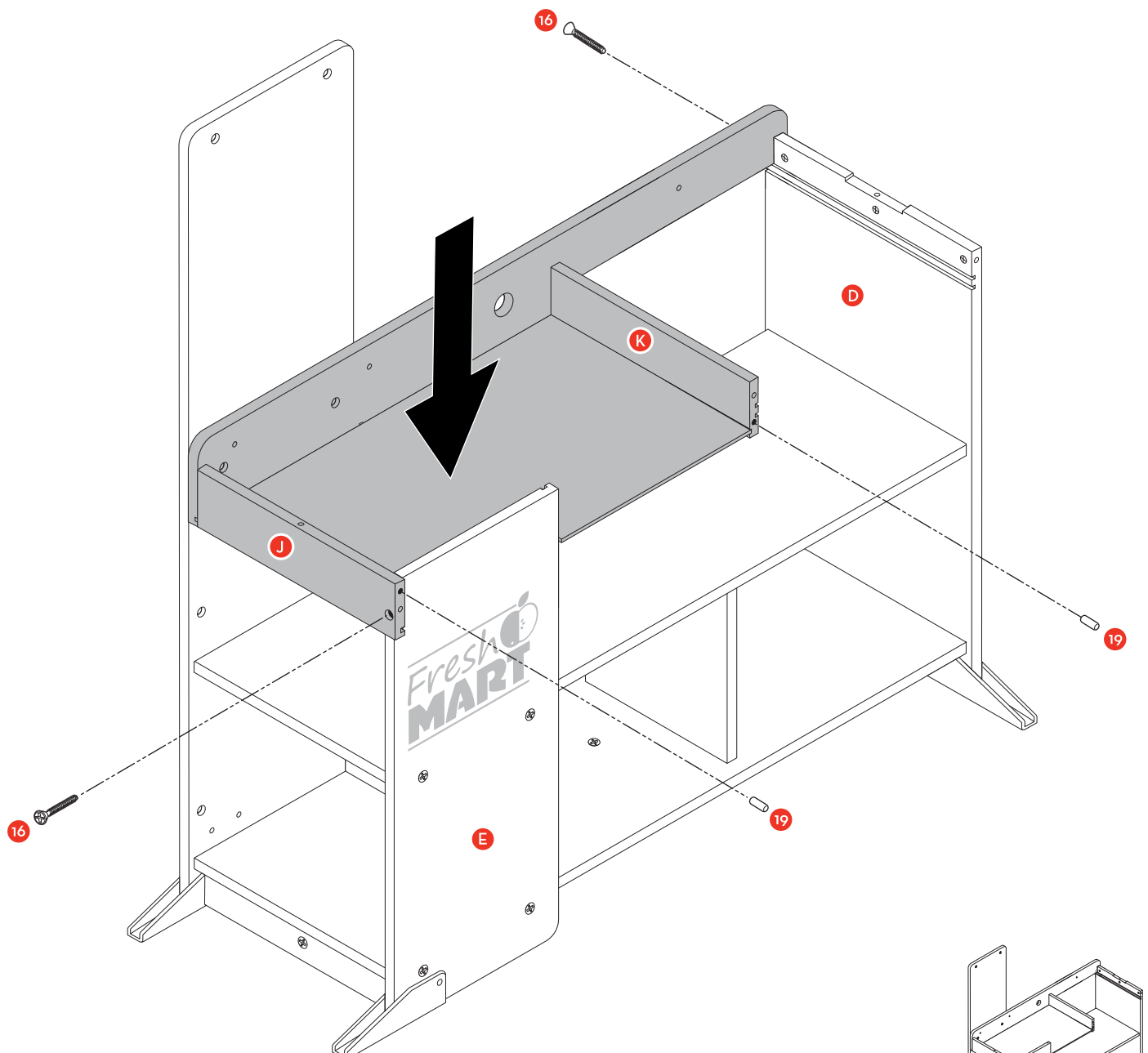
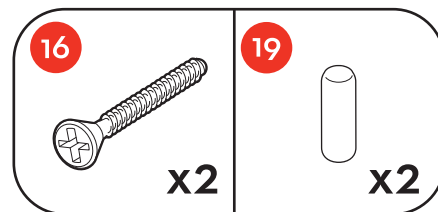
- First, using 2 long screws (part 16) and 2 wood dowels (part 19), attach the fridge top panel (part J) and the stretcher (part K) to the back counter panel (part L).
- Second, slide the belt cover (part M) into the grooves in the countertop assembly.



Assembled View

STEP 11 - Encounter the Counter

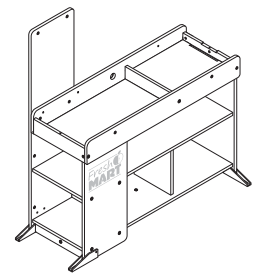
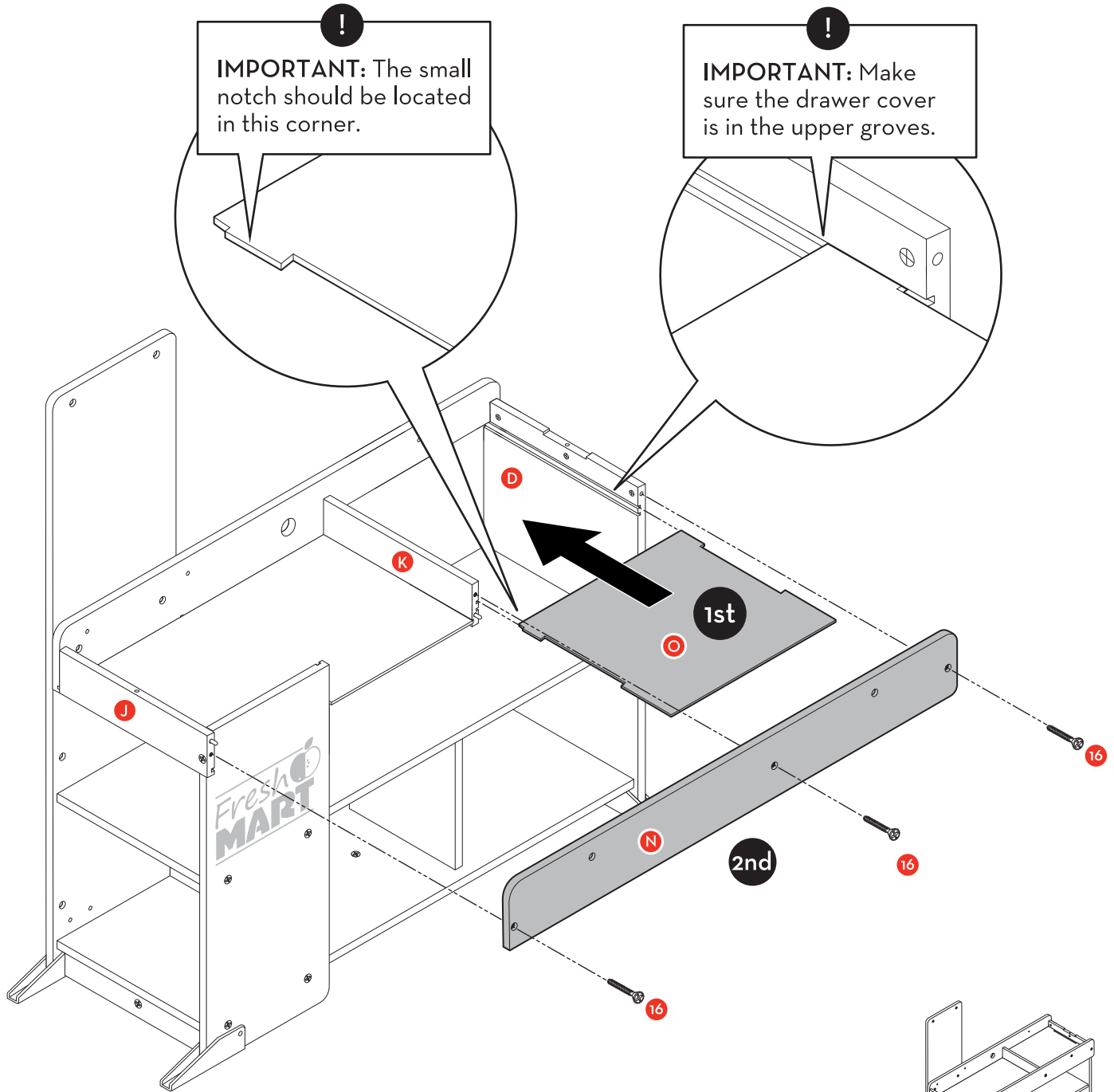
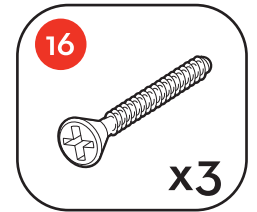
Fit the countertop assembly into the notches on the end counter panel (part D) and the fridge side panel (part E). Using 2 long screws (part 16), attach the assembly to the base. Then, insert 1 wood dowel (part 19) into the fridge top panel (part J) and 1 wood dowel (part 19) into the stretcher (part K).



Assembled View

STEP 12 - Counter Attack

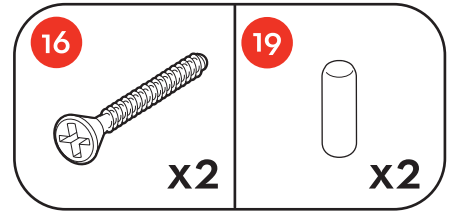
- First, fit the drawer cover (part O) into the top grooves on the counter panel (part D) and the stretcher (part K).
- Second, using 3 long screws, attach the front counter panel (part N) to the grocery store assembly (parts J, K, and D).



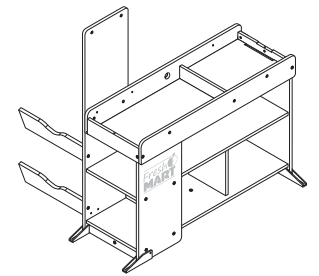
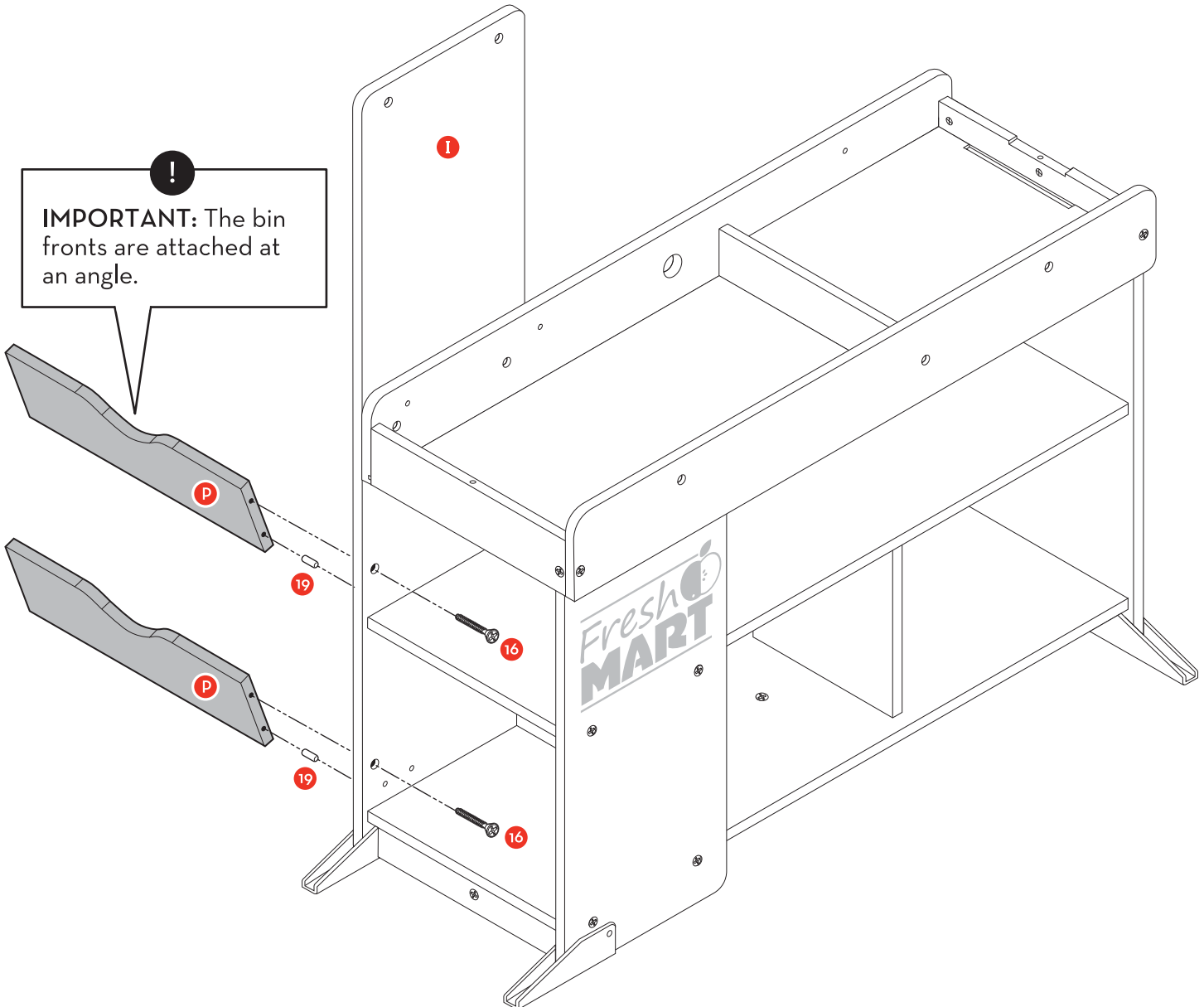
Assembled View

STEP 13 - It's Bin Fun

Using 2 long screws (part 16) and 2 wood dowels (part 19), attach the 2 bin fronts (part P) to the right side shelf (part I).

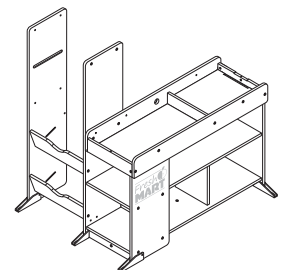
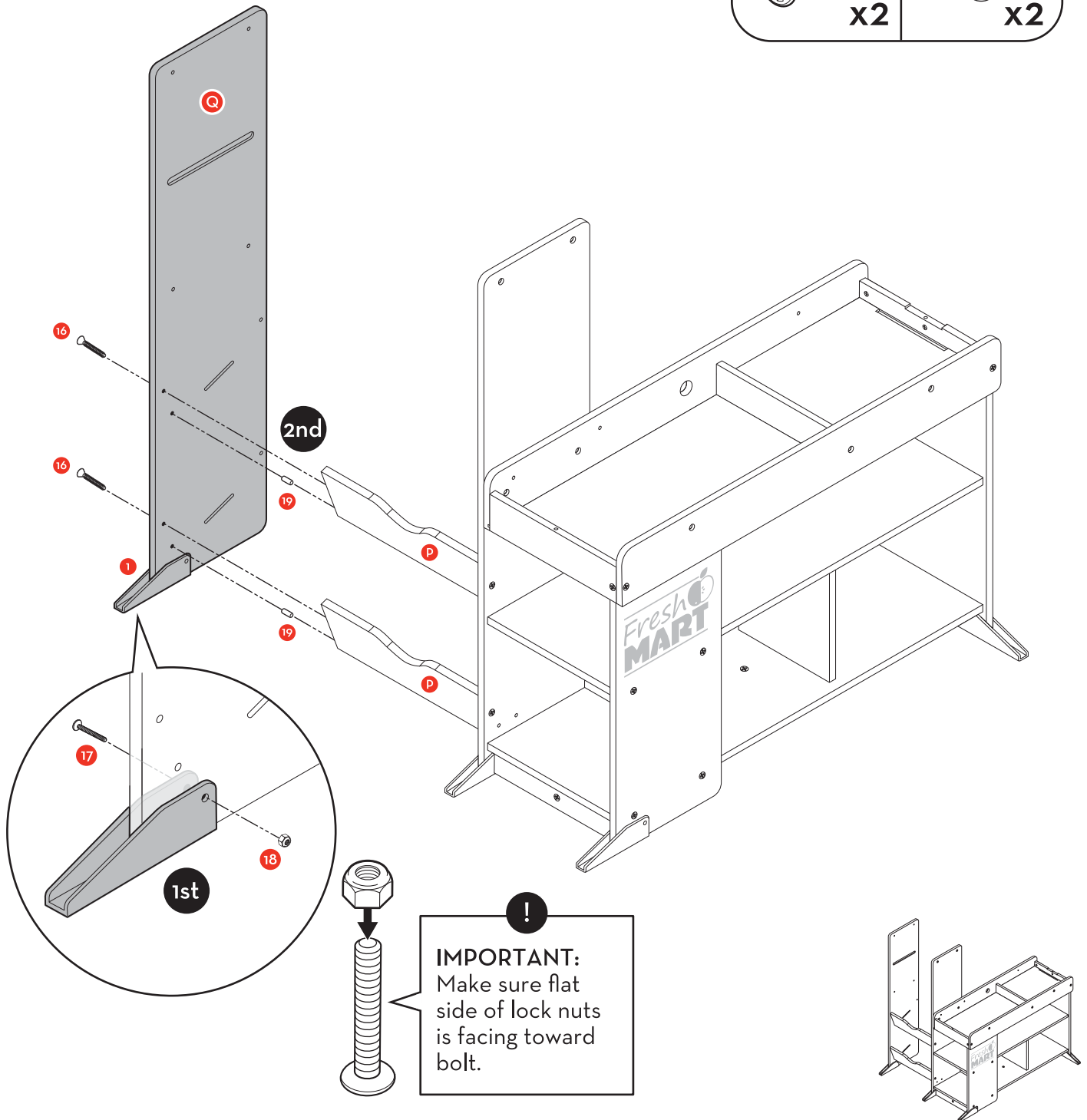
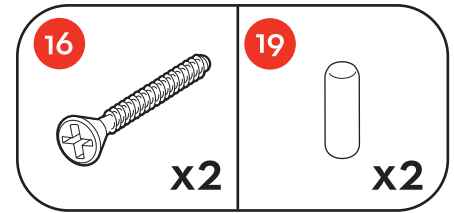
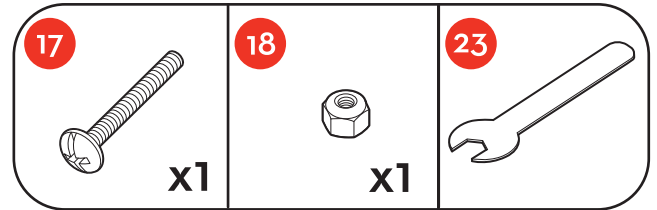


!
IMPORTANT: The bin fronts are attached at an angle.



STEP 14 - One More Foot

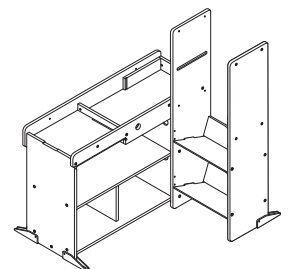
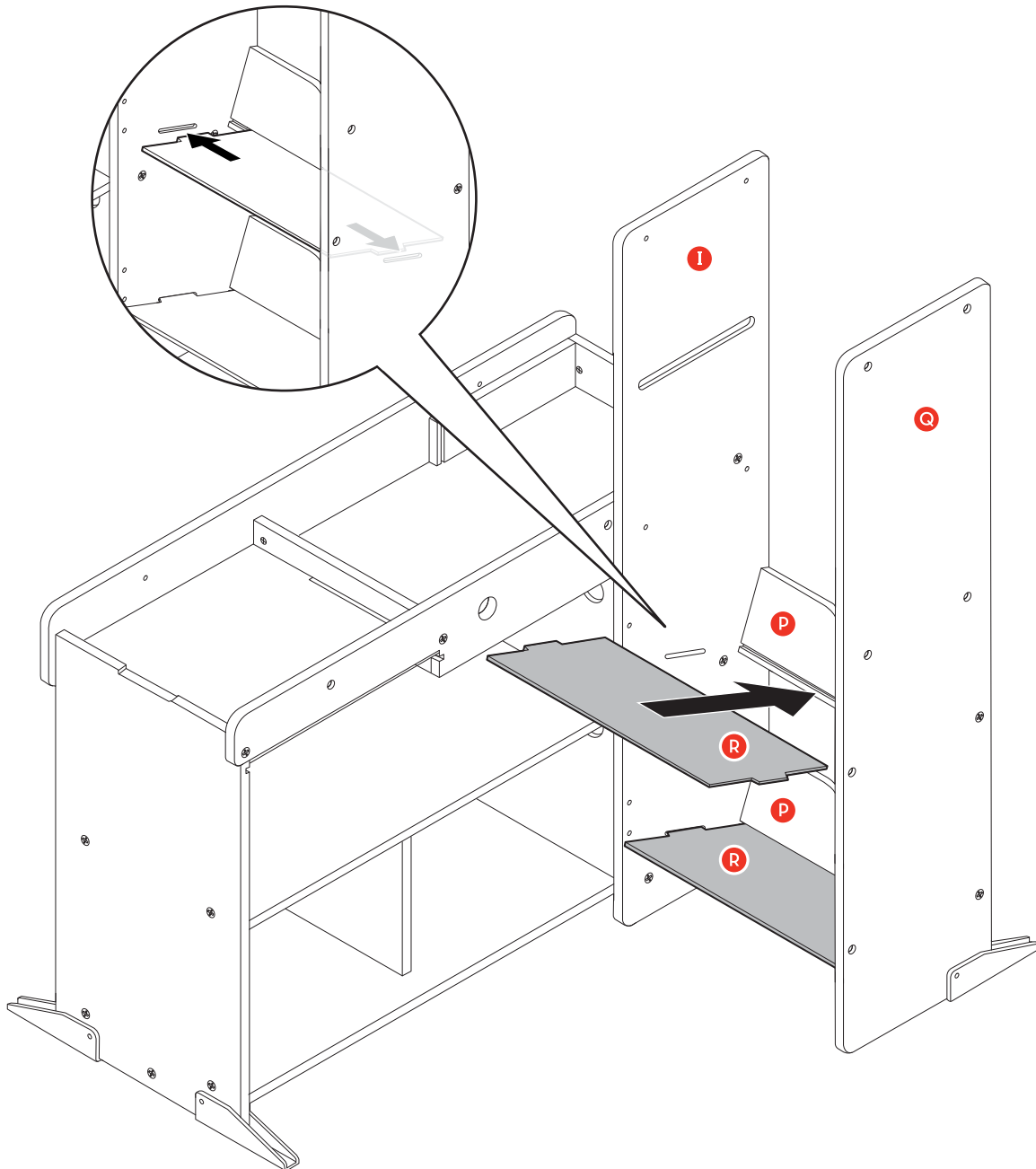
- First, using a bolt (part 17), a nut (part 18), and the wrench (part 23), attach a stabilizer foot (part 1) to the base of the left side shelf (part Q).
- Second, using 2 long screws (part 16) and 2 wood dowels (part 19), attach the left side shelf (part Q) to the bin fronts (part P).



Assembled View

STEP 15 - Bin There

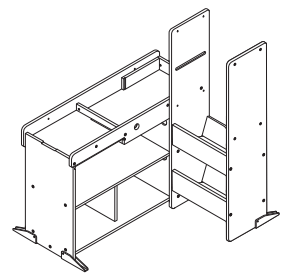
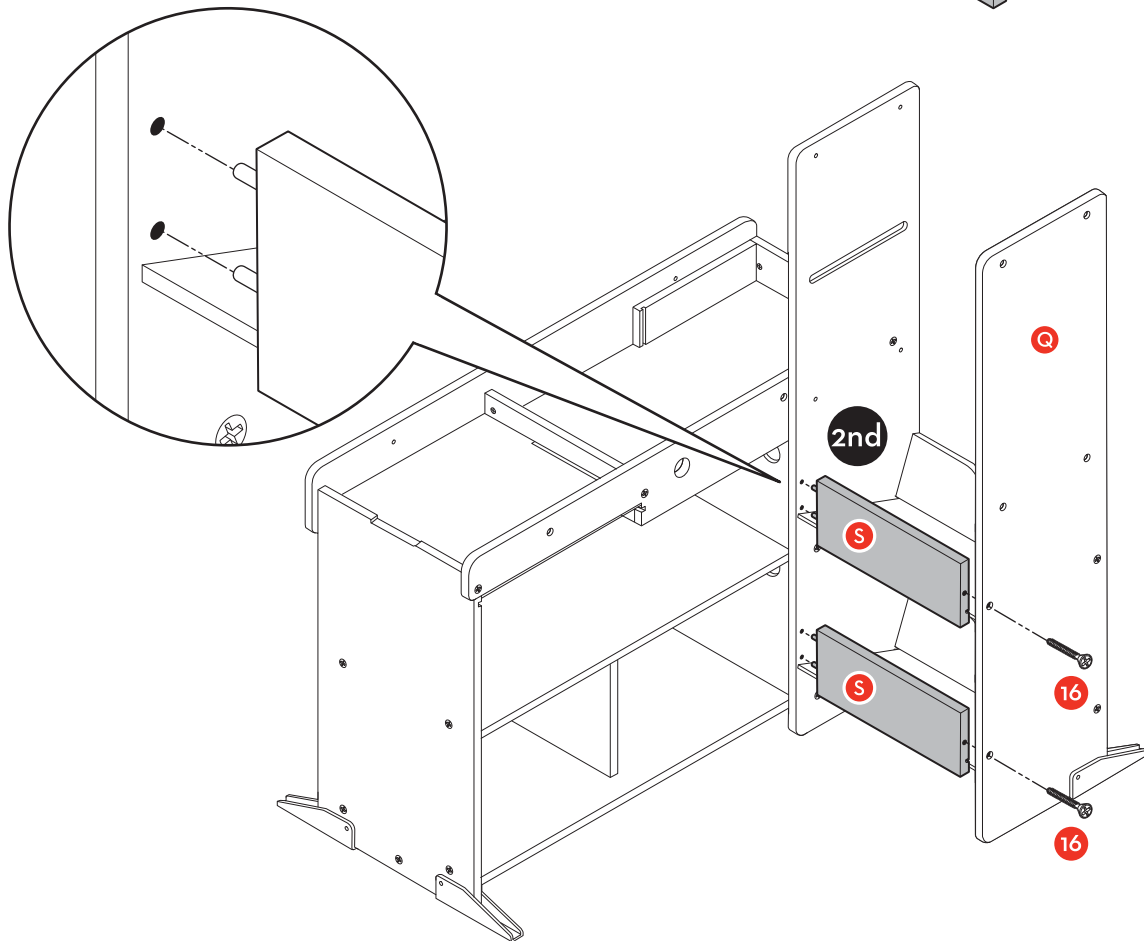
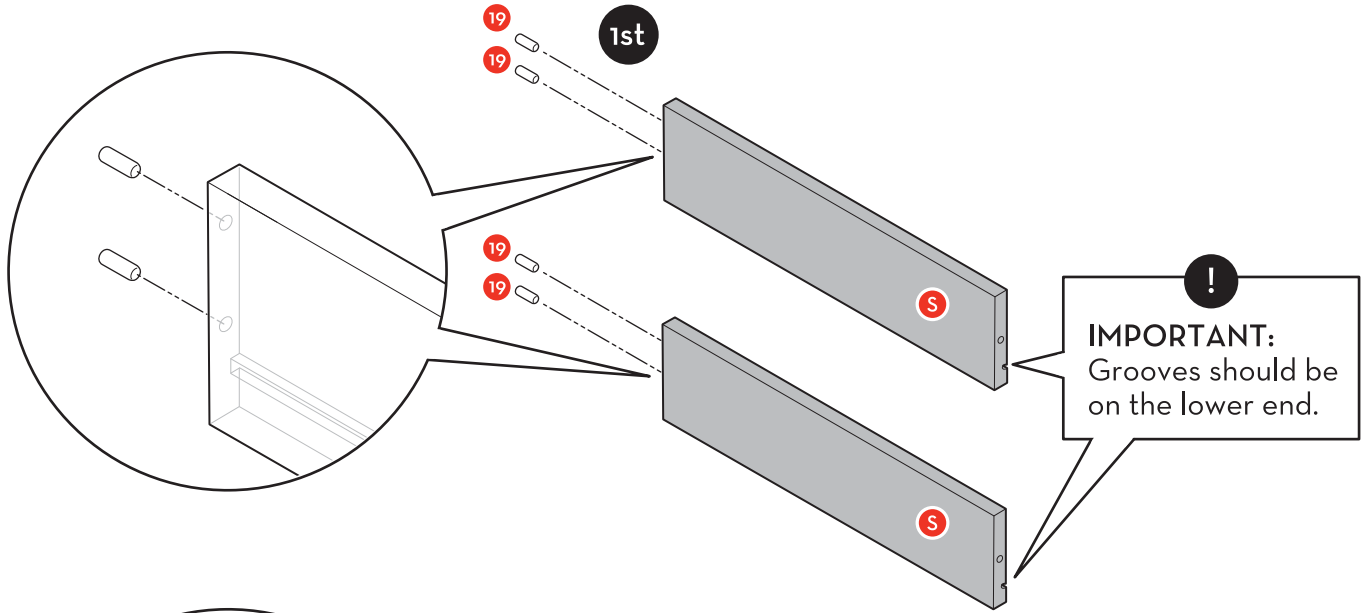
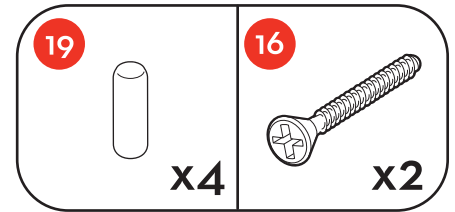
Slide the 2 bin bottoms (part R) into the grooves on the bin fronts (part P). Fit notches on the bin bottoms into the grooves on the inside of the left and right shelf panels (parts I and Q).



Assembled View

STEP 16 - Back It Up

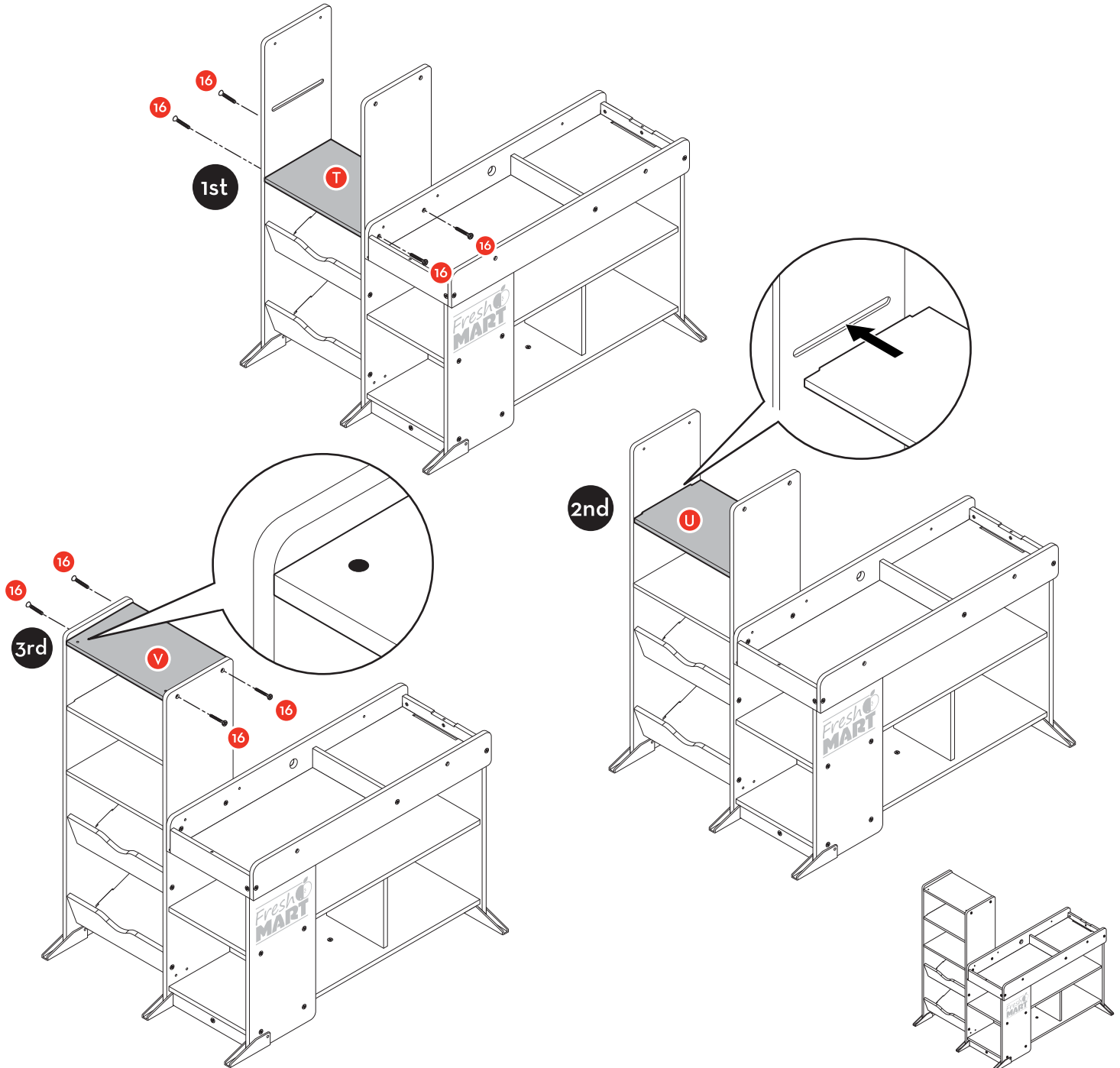
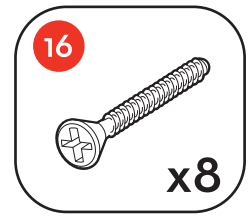
- First, insert 2 wood dowels (part 19) into each bin back (part S).
- Second, using 2 long screws (part 16), attach the bin backs to the left side shelf panel (part Q).



Assembled View

STEP 17 - Do It Yourself

- First, using 4 long screws (part 16), attach the lower shelf (part T) to the left and right shelf panels. Do not completely tighten screws.
- Second, insert notches on the middle shelf (part U) into the upper grooves in the left and right shelf panels.
- Third, using 4 long screws (part 16), attach the upper shelf (part V) to the left and right shelf panels. Partially tighten the screws before completely tightening all of them.
- Finally, completely tighten screws on the lower shelf.

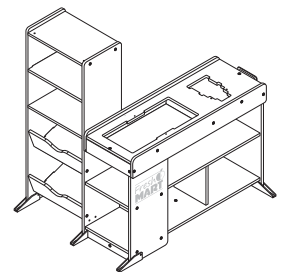
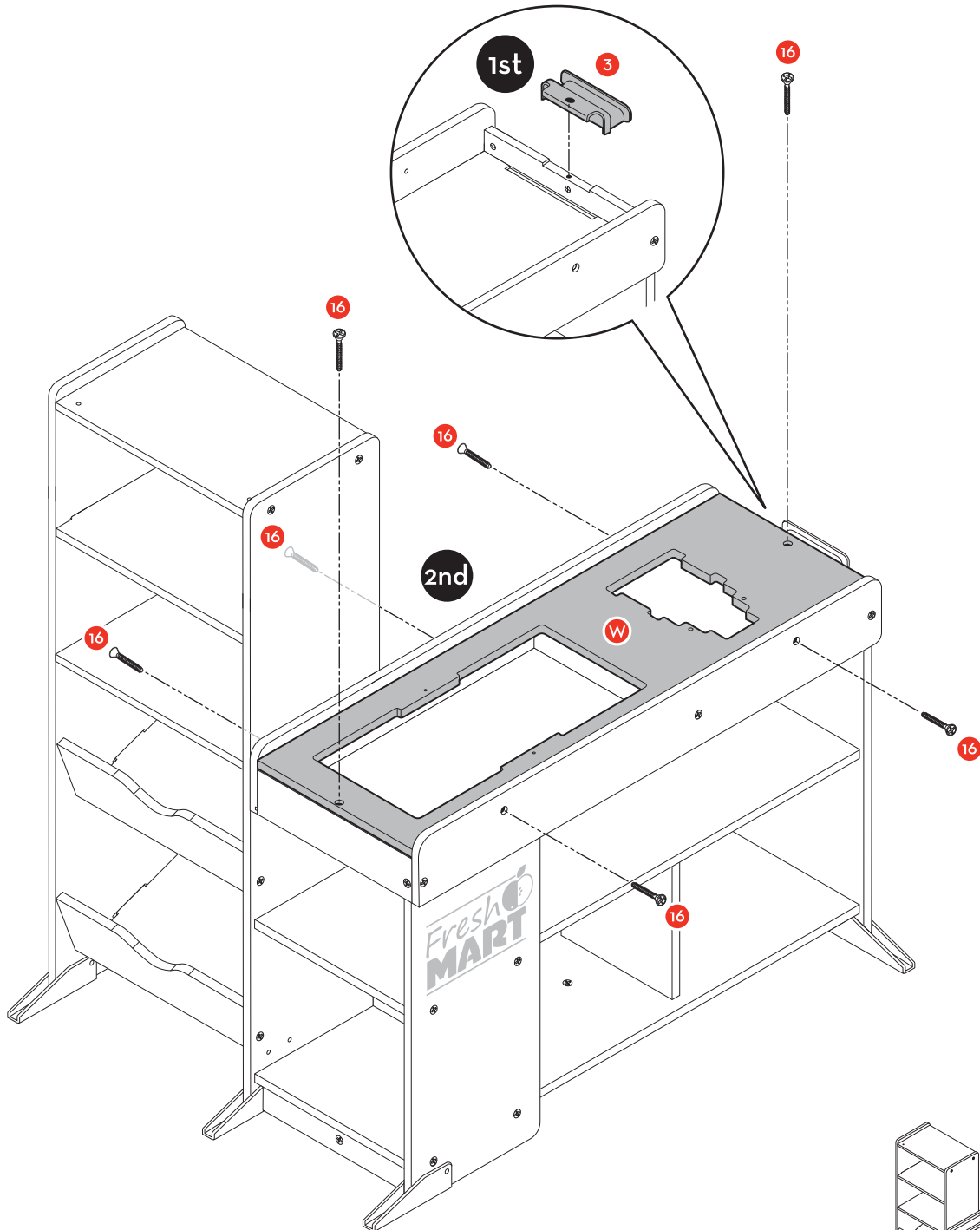
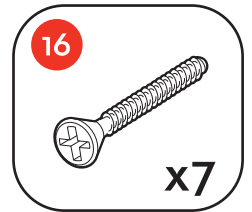


Melissa & Doug Customer Care: 1-800-284-3948

Assembled View

STEP 18 - Bag It

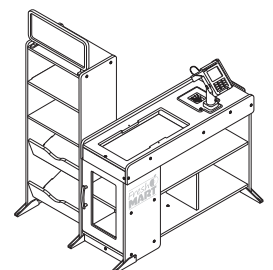
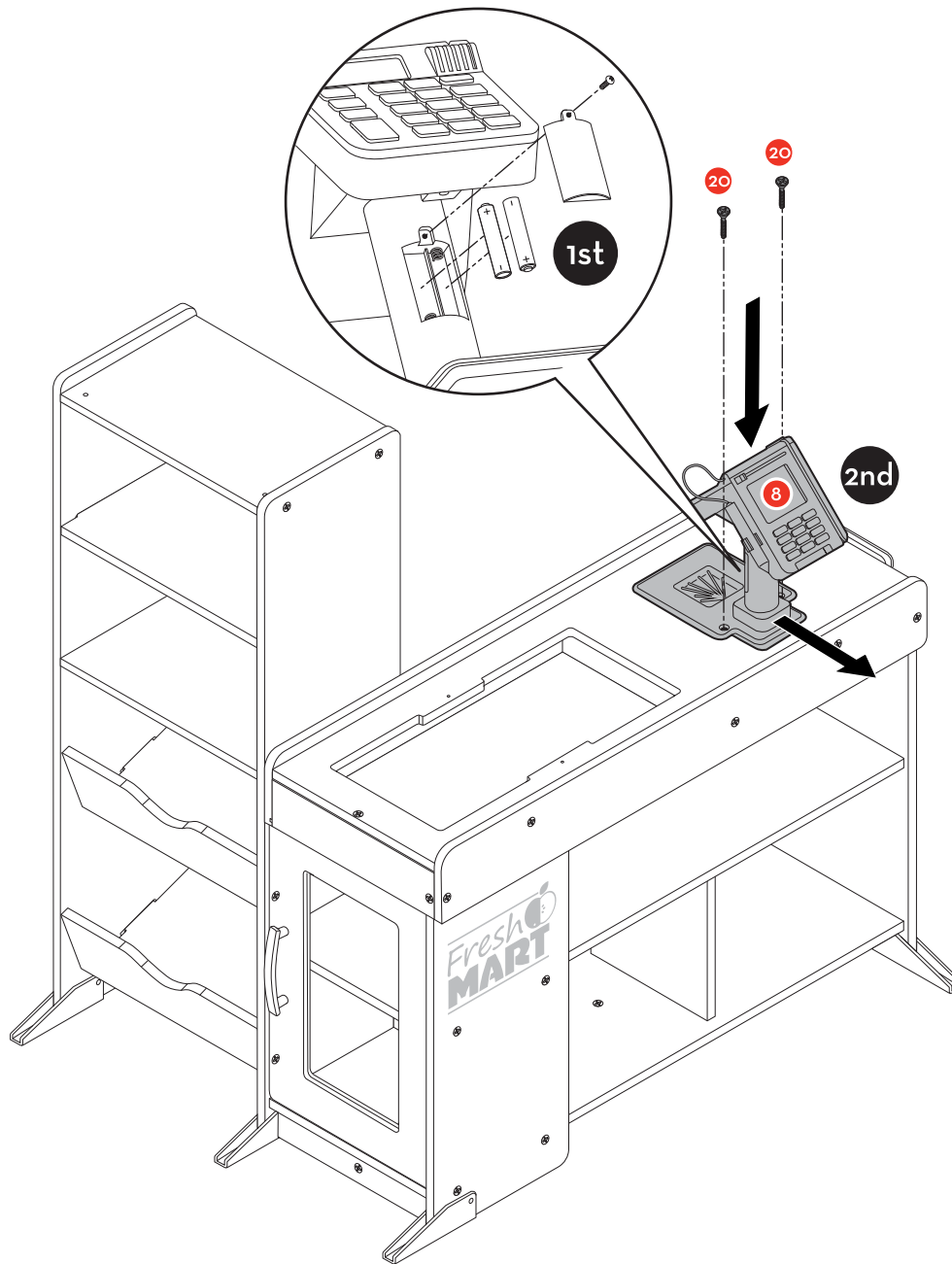
- First, place the bag hanger (part 3) into the notch on the back of the counter.
- Second, using 7 long screws (part 16) attach the countertop (part W) to the counter base.



Assembled View

STEP 20 - Yes You Scan

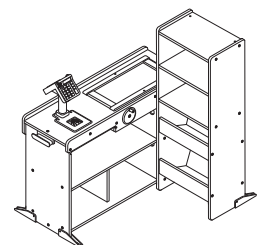
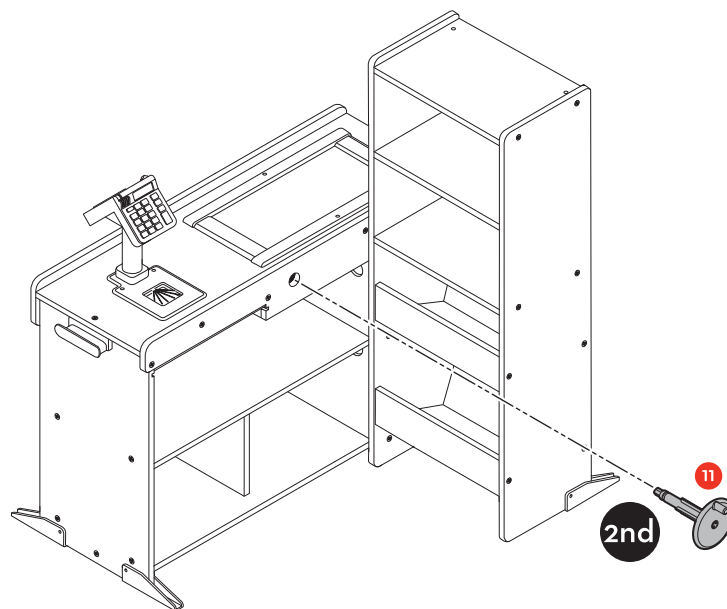
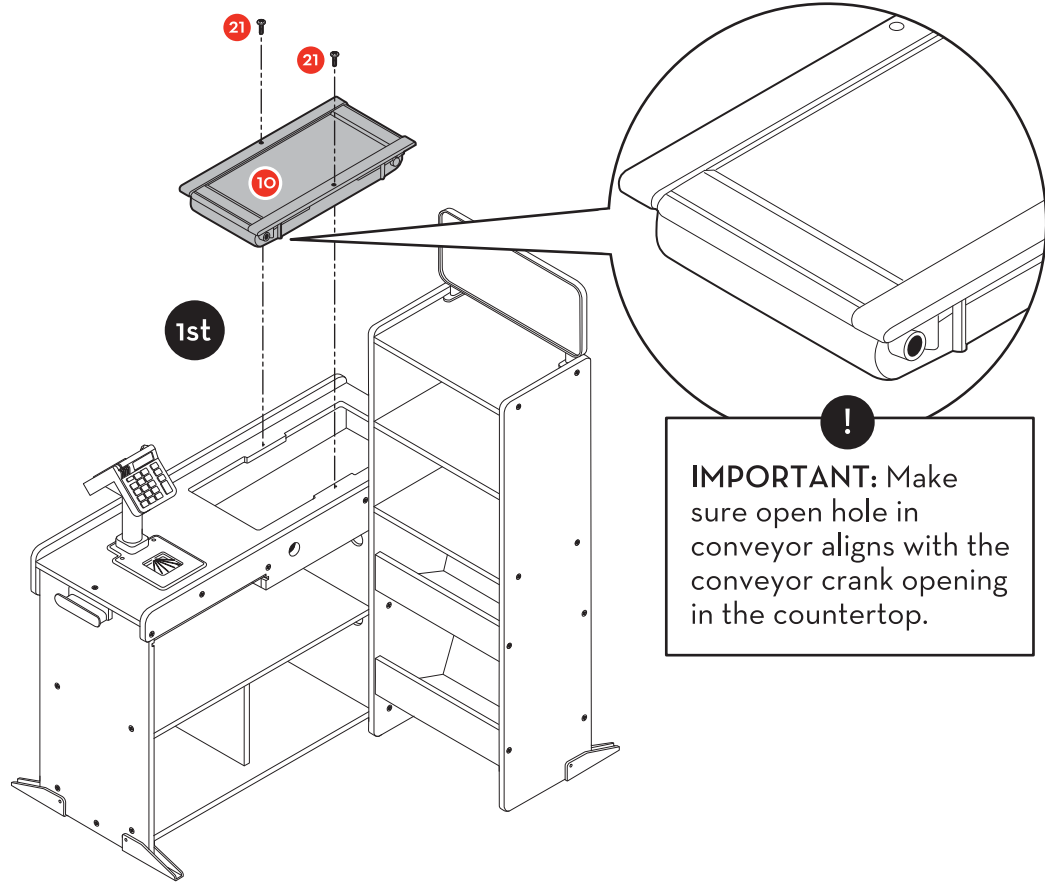
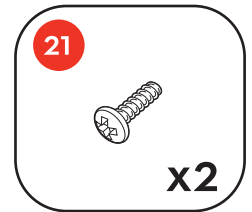
- First, remove battery panel from the scanner (part 8) and insert 2 AA batteries (not included). Reattach battery panel.
- Second, insert scanner into countertop and slide to align holes. Using 2 medium screws (part 20) attach scanner to countertop.



Assembled View

STEP 21 - Keep It Rolling

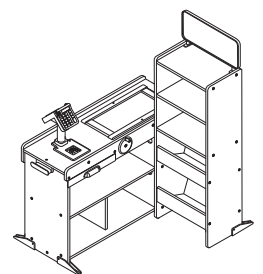
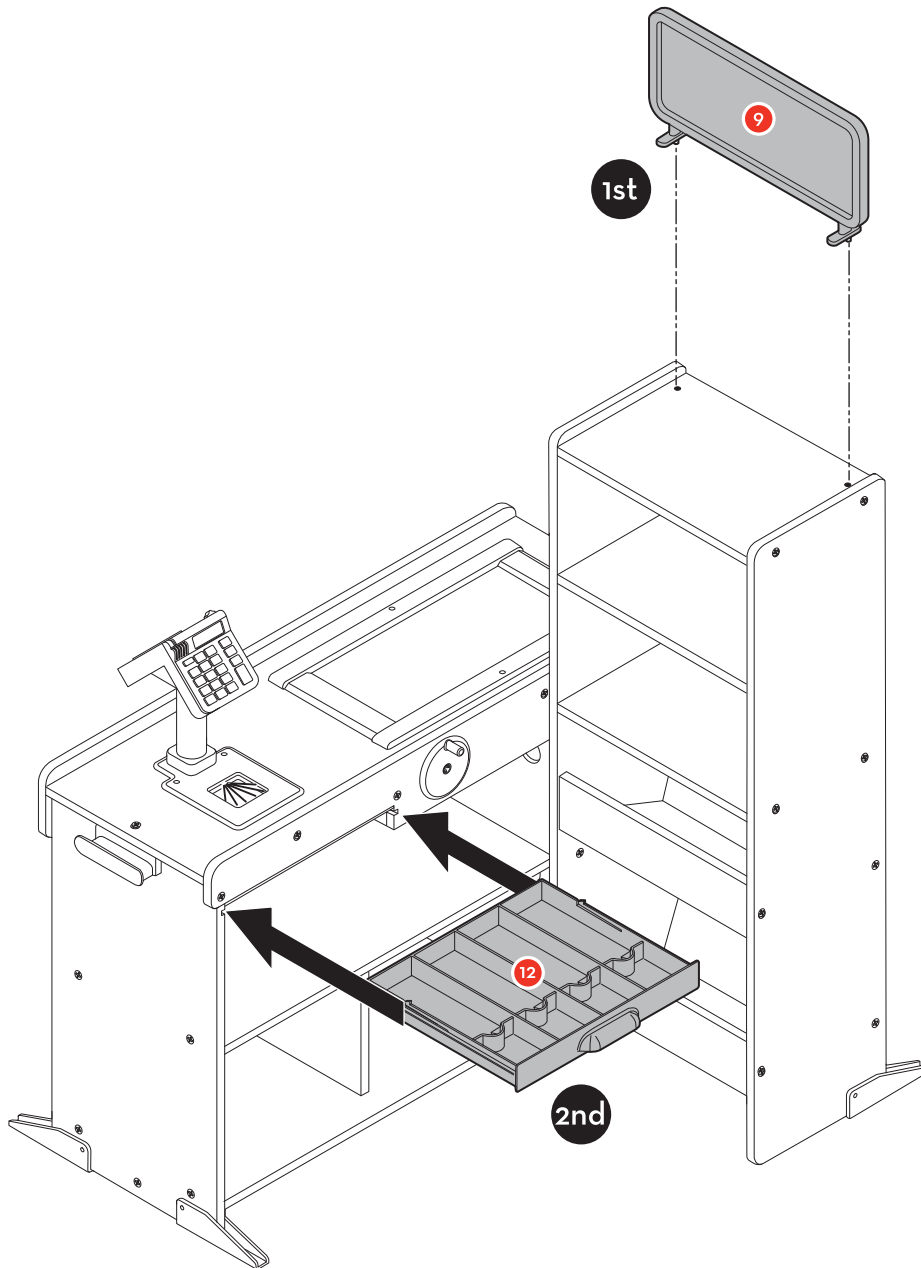
- First, place the conveyor (part 10) into the countertop. Attach the conveyor using 2 small screws (part 21).
- Second, insert the conveyor crank (part 11) into the hole in the side of the countertop until you hear it click.



Assembled View

STEP 22 - Sign Up Now

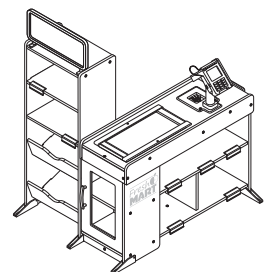
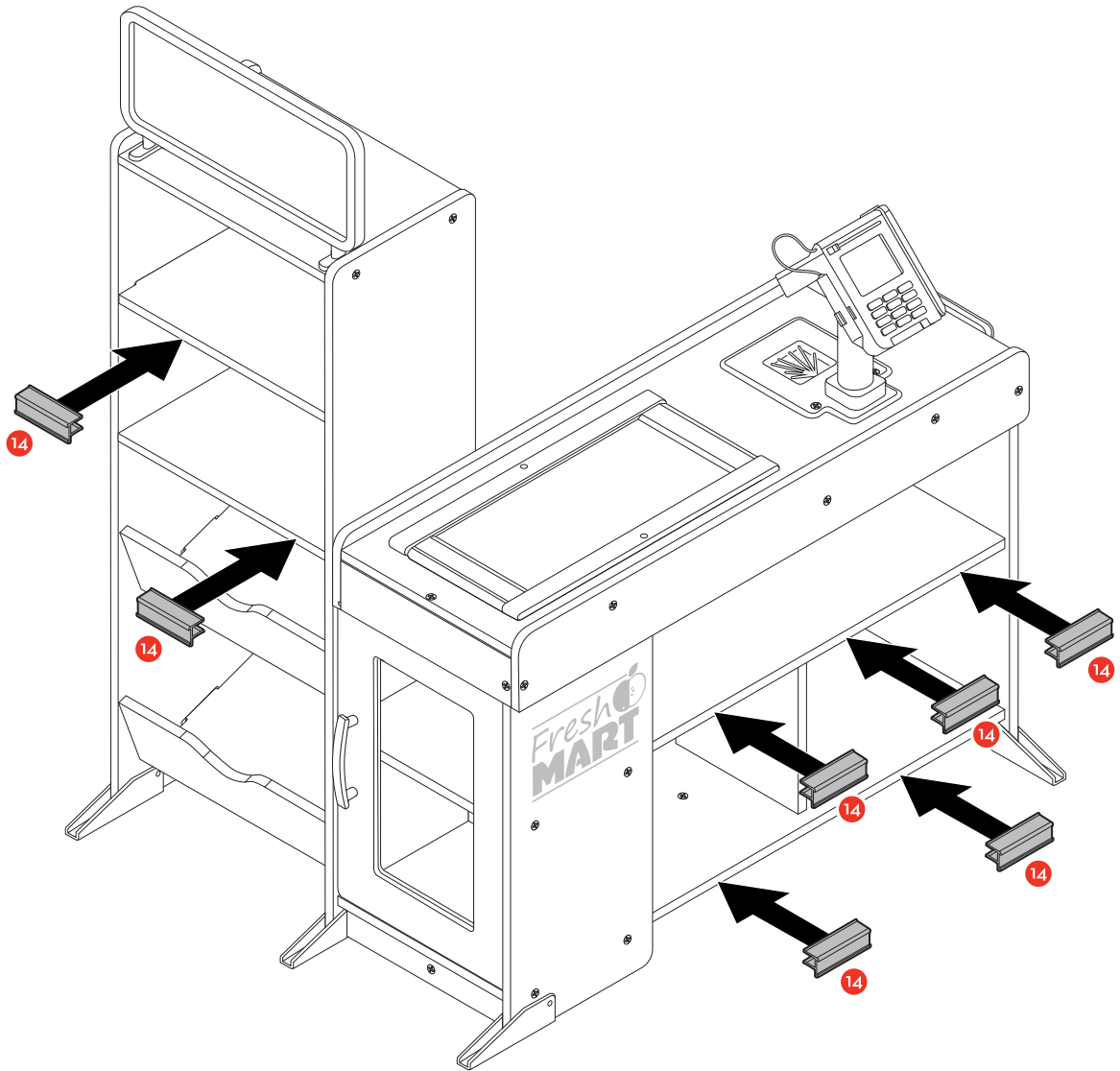
- First, insert the sign (part 9) into 2 holes on top of the upper shelf.
- Second, slide the cash drawer (part 12) into the slots in the countertop underneath the scanner.



Assembled View

STEP 23 - What Fun – You're Done!

Insert shelf labels (part 13) into shelf clips (part 14).
Attach the shelf clips to any shelf.



Assembled View

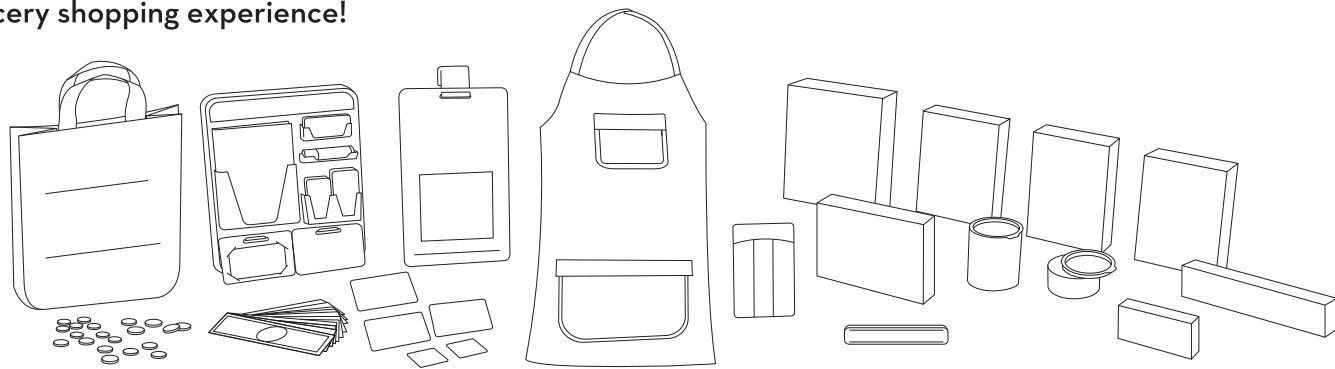
YOU DID IT!

Now the real fun begins—it's time for young entrepreneurs and shoppers to discover the excitement of playful purchasing! Here are some of the special features of the Fresh Mart Grocery Store:

- **MULTI-SIDED FOR ALL AROUND FUN:** Customers can browse shelves to find the items on their grocery list, while grocers can stock the store and ring up purchases!
- **HAND-CRANKED CONVEYOR BELT:** Turn the crank and the silicone conveyor belt moves groceries along the check-out counter, just like in real grocery stores!
- **SCANNER & CALCULATOR:** Pass items over the scanner and it beeps! Use the working calculator to accurately ring up purchases and practice early math skills. An On/Off button gives kids (and their grown-ups!) the option of quiet play.
- **CASH DRAWER:** Pull-out drawer holds play money and bills so grocers can take payments and make change! (Drawer can be removed by pulling it out and pushing side tabs to release it.)
- **CREDIT CARD MACHINE & CARD:** There's a slot to swipe the included credit card, a slot to use as a chip reader, a keypad to enter PIN numbers (NOTE: Numbers do not display. Microphone button is for pretend play only), and a magnetic signature pad to make payments official!
- **SHELF CLIPS & LABELS:** Seven durable clips fit over the edges of any of the shelves. Double-sided labels (including a reusable blank one for kids to customize!) give lots of options for creating sections in the store. Soup and Canned Goods on Aisle 3!
- **ILLUSTRATED FRAMED SIGN:** A sturdy custom frame fits snugly atop the tallest shelf. The Fresh Mart Grocery Store sign on one side welcomes customers, while bright illustrations and prices of fruit and vegetables are a fun reference for grocers as they ring up produce.
- **LOTS OF STORAGE & PLAY SPACE:** Ample check-out counter area for ringing up purchases, and plenty of sturdy shelving for keeping a well-stocked store. Realistic touches include a "refrigerator" with see-through door and angled produce bins.
- **SAFETY FIRST:** High-quality materials ensure strength and durability, while smooth, curved corners and edges offer peace of mind. Fridge door includes safety catches, and stabilizer feet prevent dangerous tip-overs.

ACCESSORIZE

The Melissa & Doug Fresh Mart Grocery Store Companion Collection (#5183) has all the essentials for a full grocery shopping experience!



The 71-piece set includes a grab-and-go rack, write-on magazine, gift card, wooden gum, granola bar, lip balm, and fruit leather, shopping tote, grocer's apron, wooden divider bar for conveyor, an extra double-sided write-on sign, reusable activity card, nine grocery boxes and play cans with removable lids, coupons, cards, and play money! For this and other play grocery, pantry, and shopping essentials, such as play food, role play costumes, and more, visit us at MelissaAndDoug.com!

