

# STAR WARS

## METAL EARTH™

3D METAL MODEL KITS



mmg276

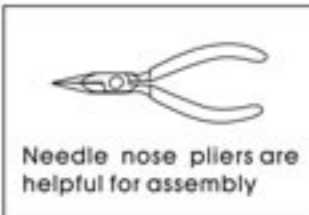
R2-D2™ & C-3PO™

360°  
view



It is highly recommended that you visit [www.fascinations.com/metalearth360/mmg276](http://www.fascinations.com/metalearth360/mmg276) to see the completed model before assembling your own

### To create the best connections



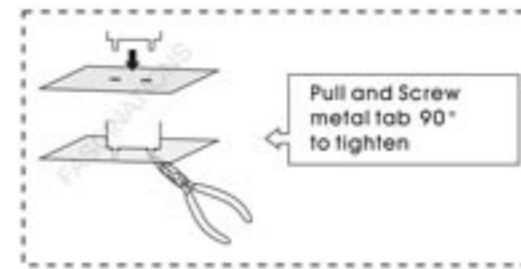
Needle nose pliers are helpful for assembly

Legends:

- M** Mirror finish
- E** Engraved side  
Color side
- NE** Non-engraved side  
Non-color side
- Attention point

Insert tab and bend 90 degrees for most visible areas

Insert tab and twist 90 degrees is best in some areas to ensure a tight connection



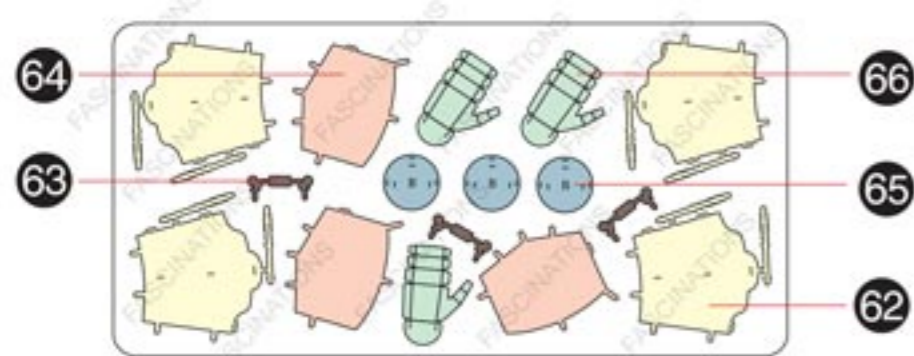
Pull and Screw metal tab 90° to tighten

Insertion tabs are inserted and then folded

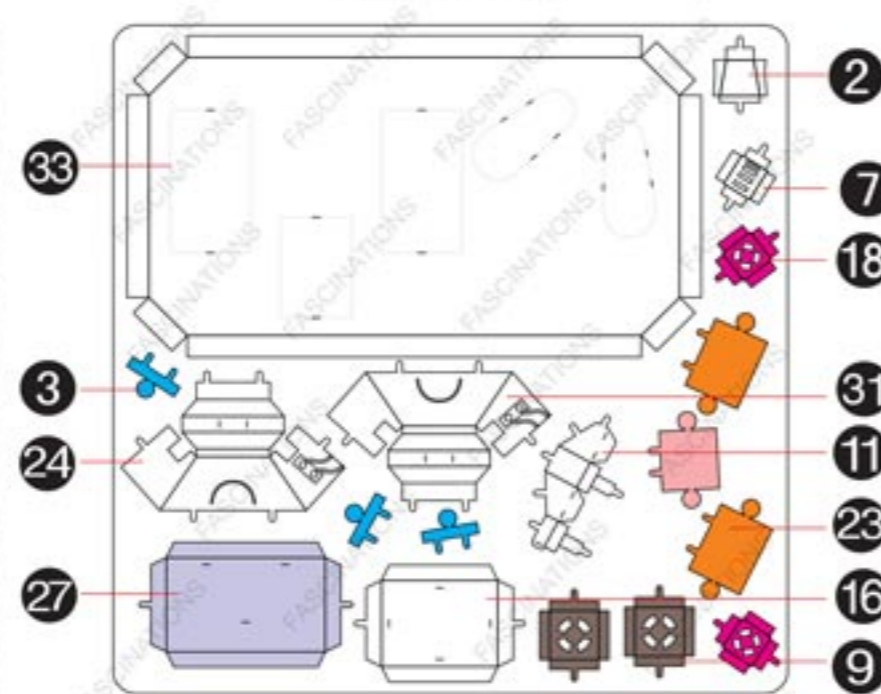
Insertion holes

Fold lines can be seen as shown here

Red sheet

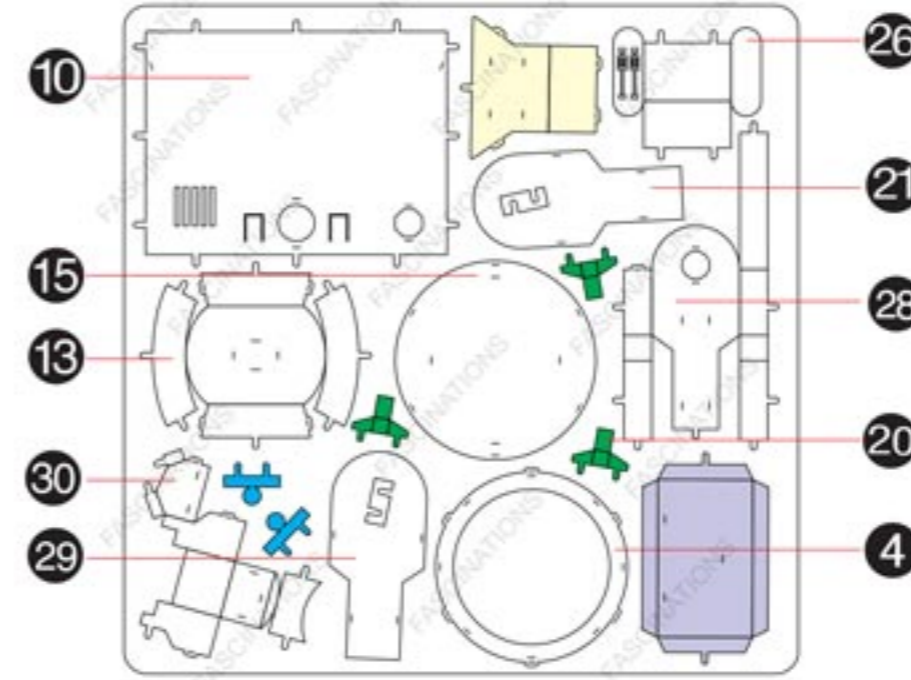


Silver sheet 1

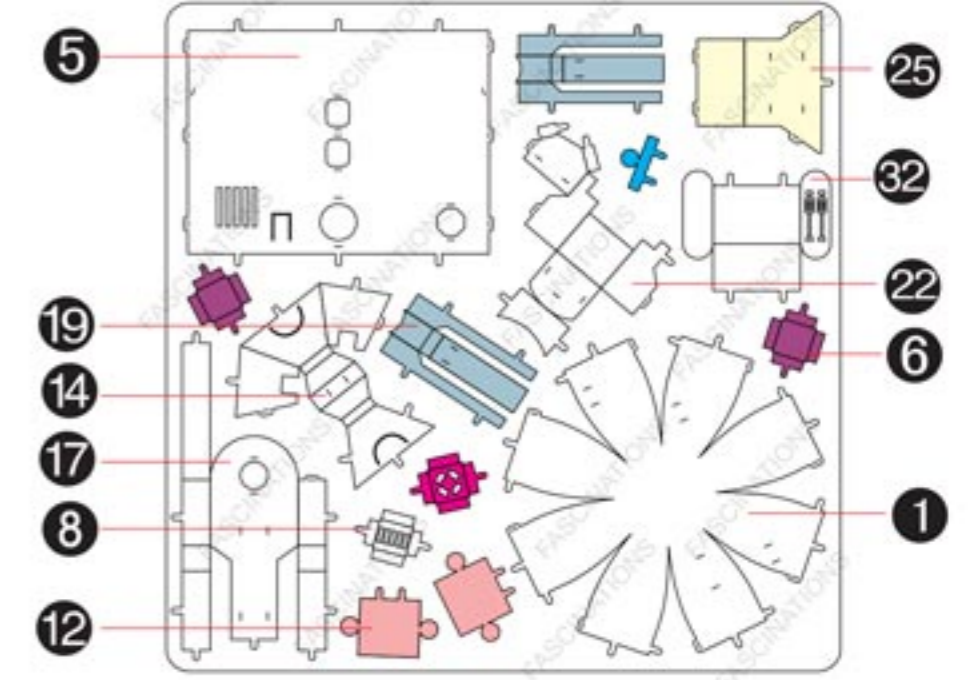


In order to avoid possible injury from sharp edges, please carefully discard the metal sheet after parts have been removed

Silver sheet 2



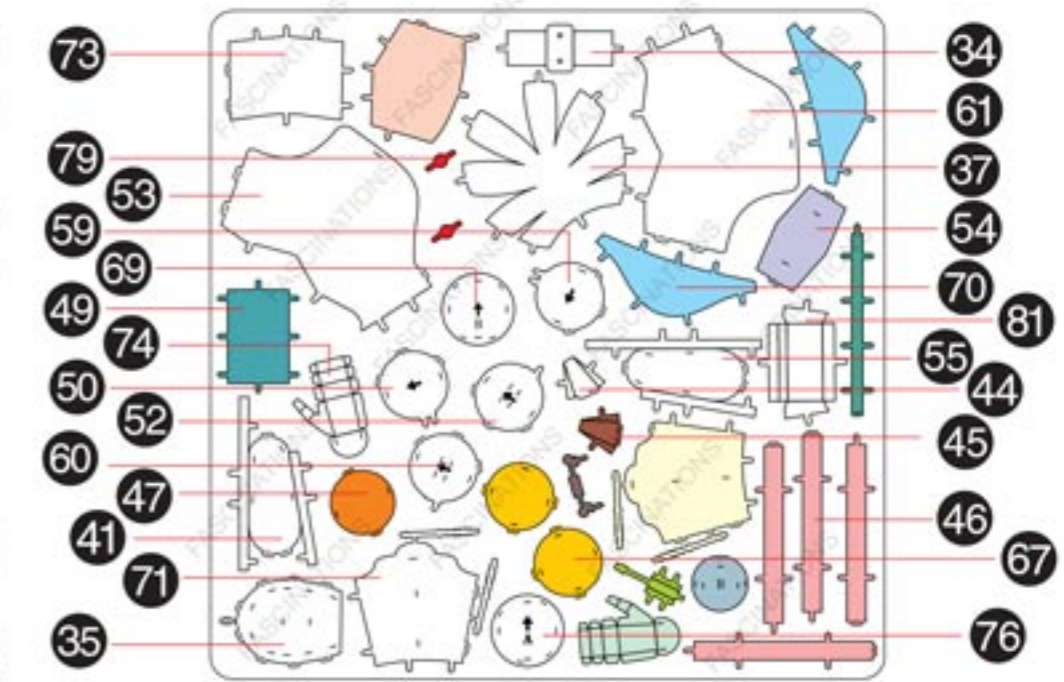
Silver sheet 3



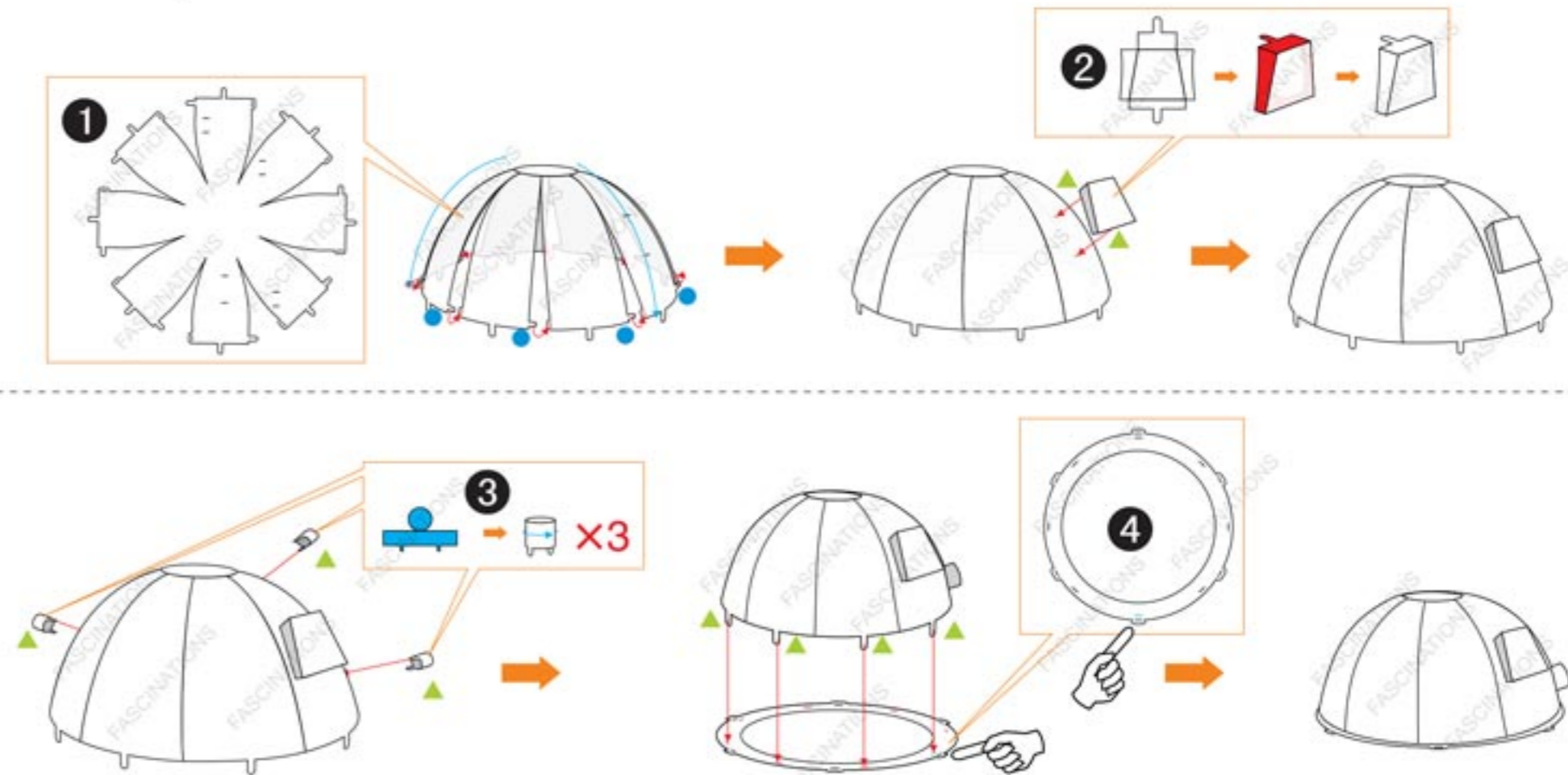
Gold sheet 1

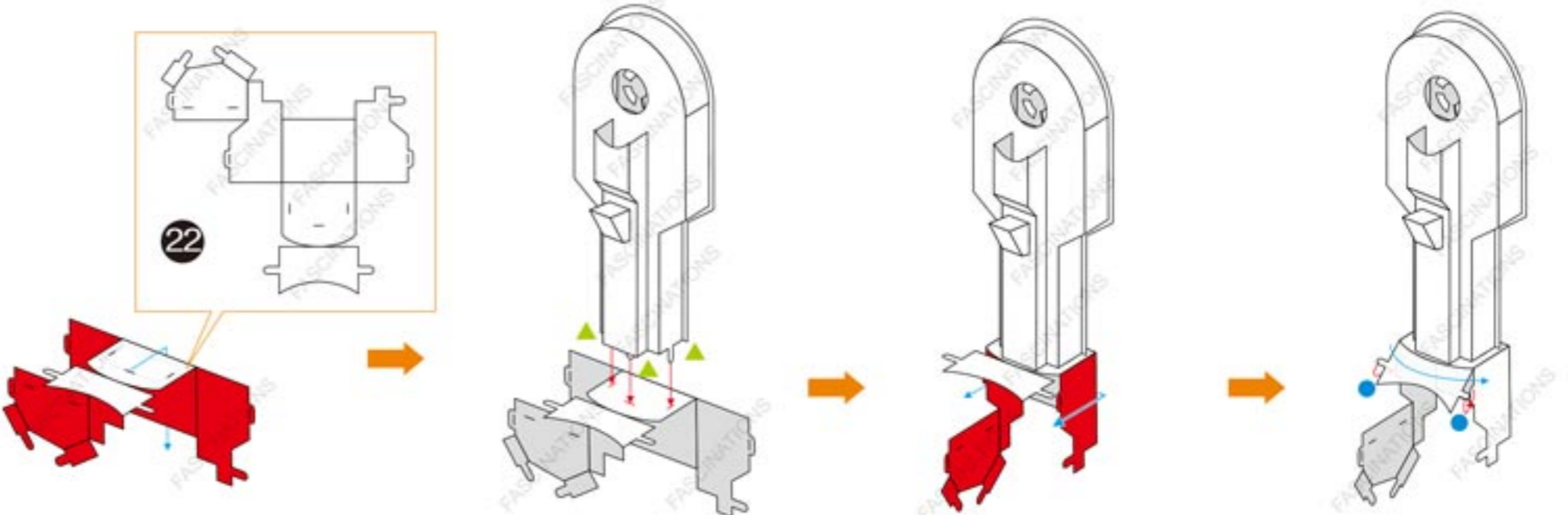
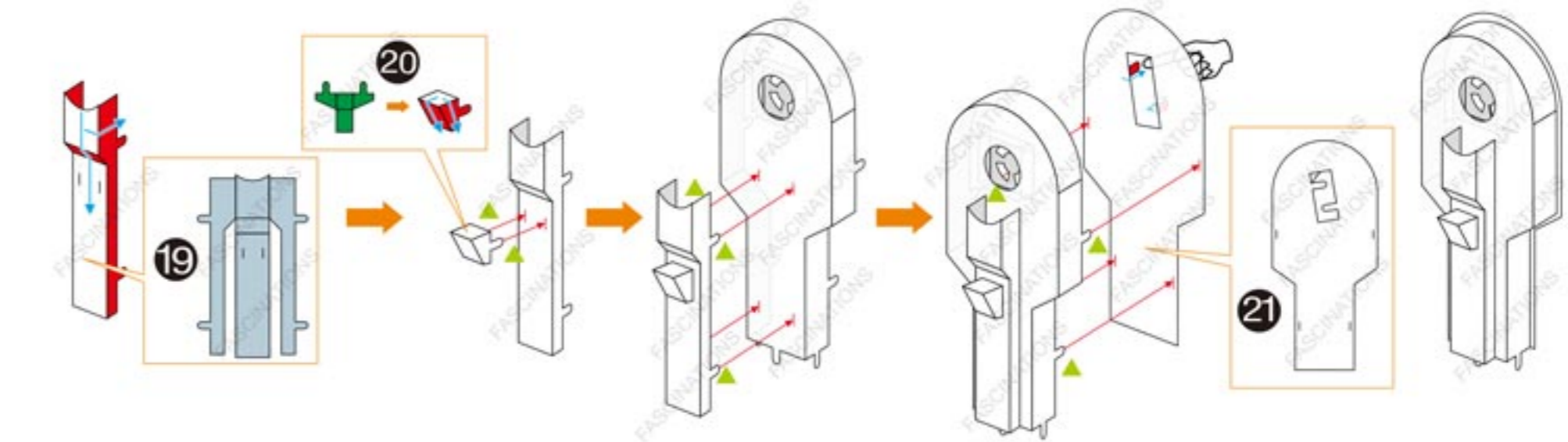
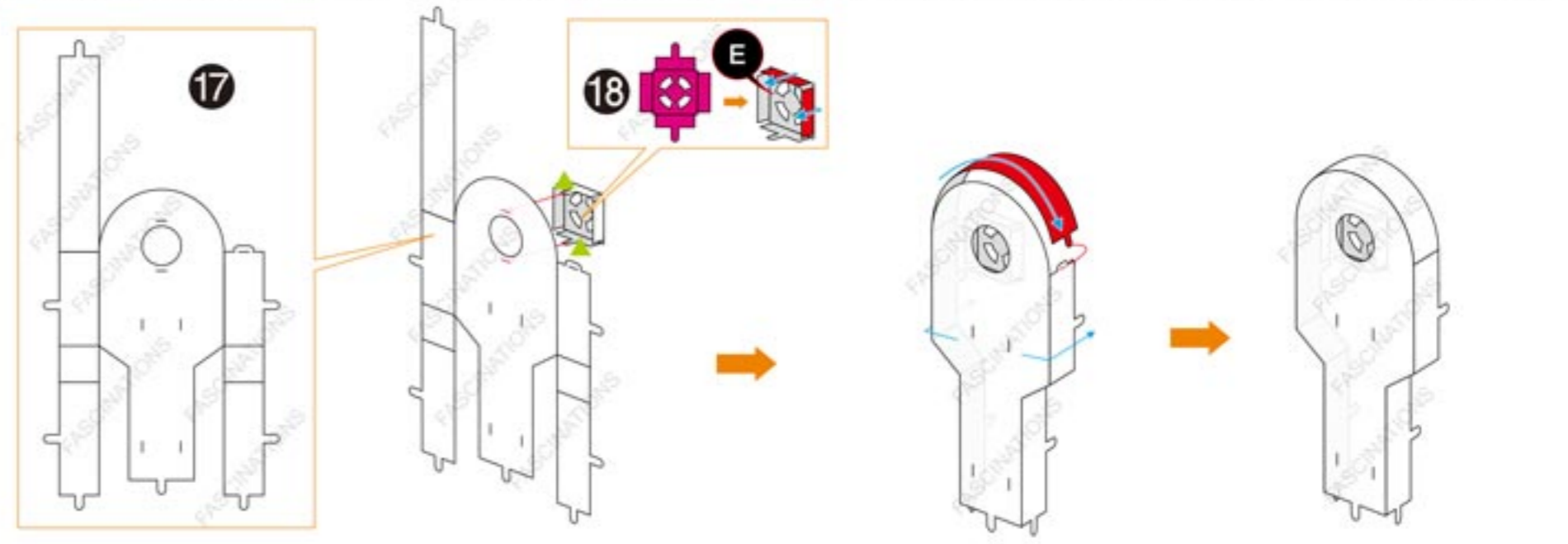
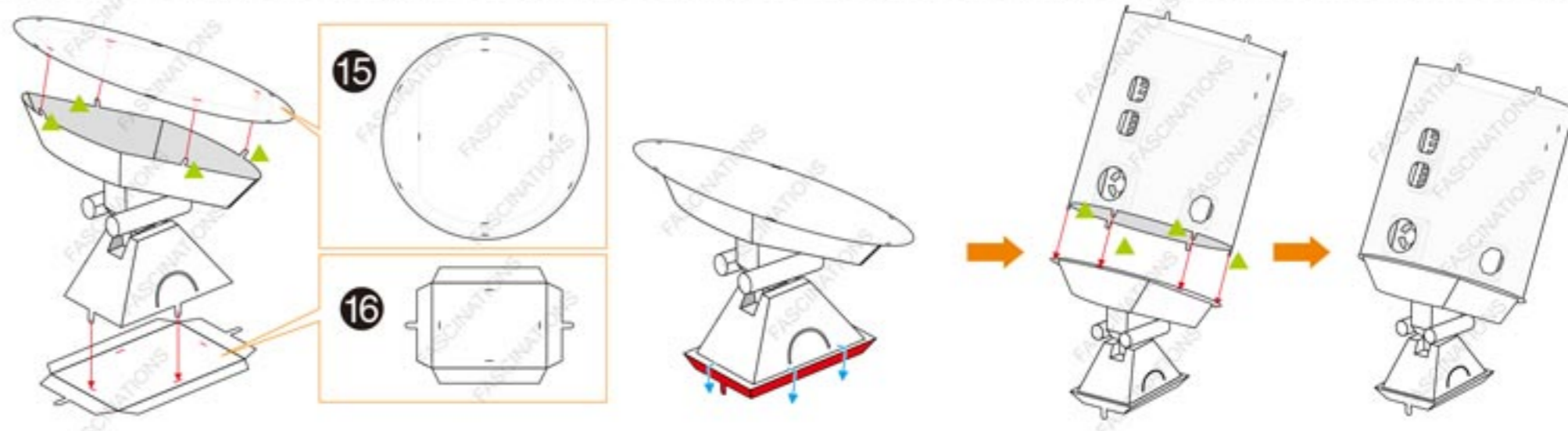
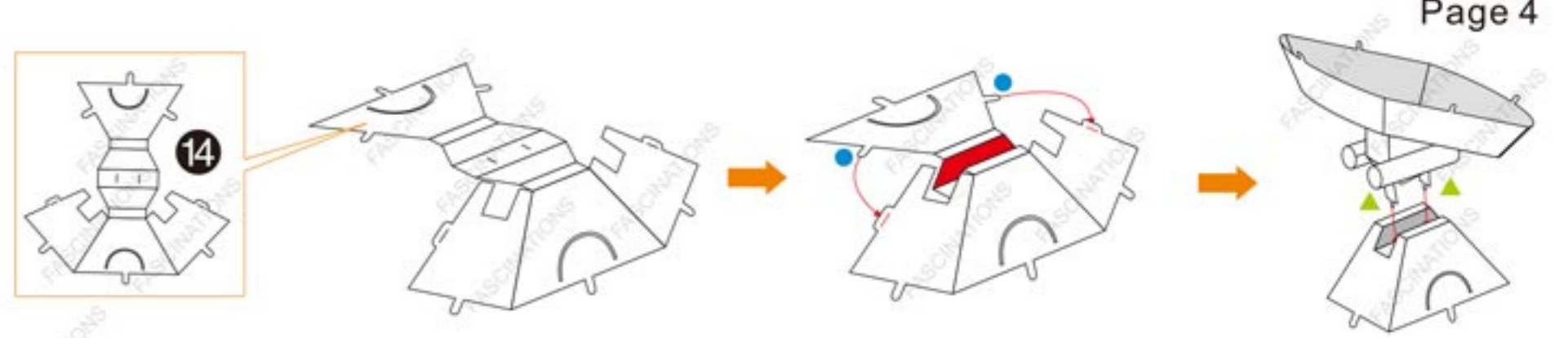
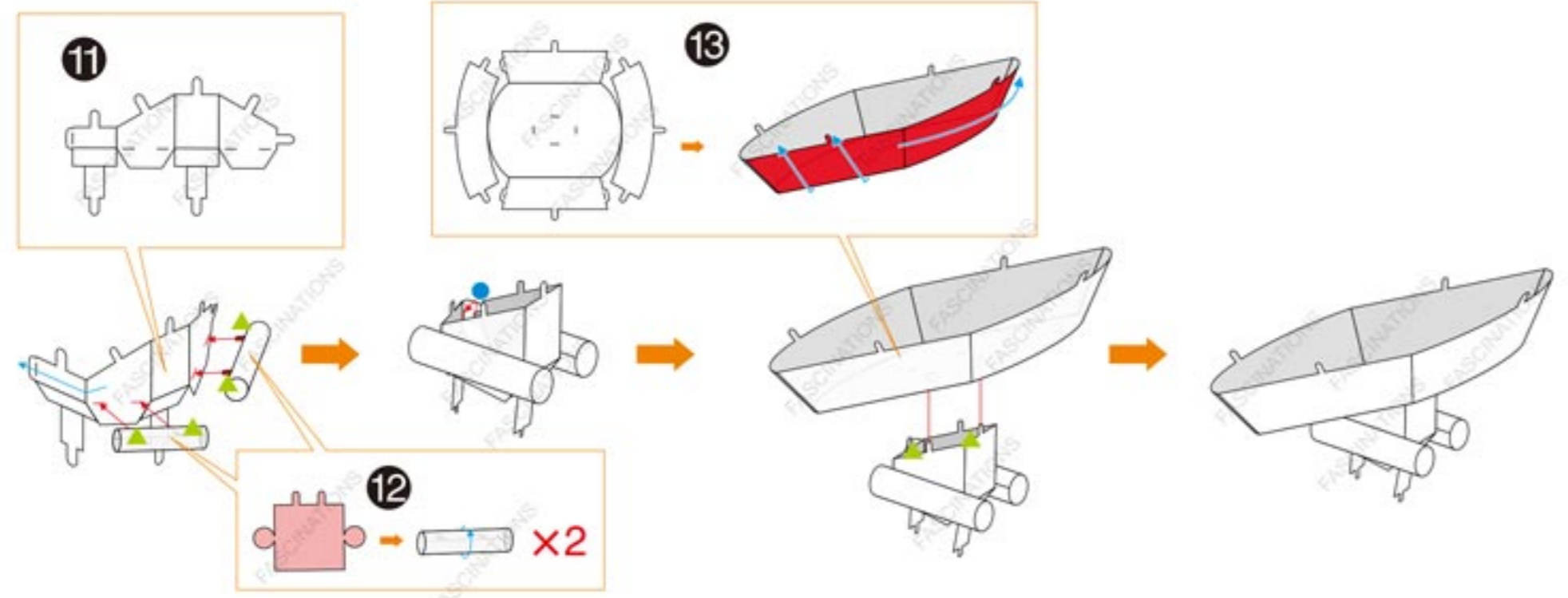
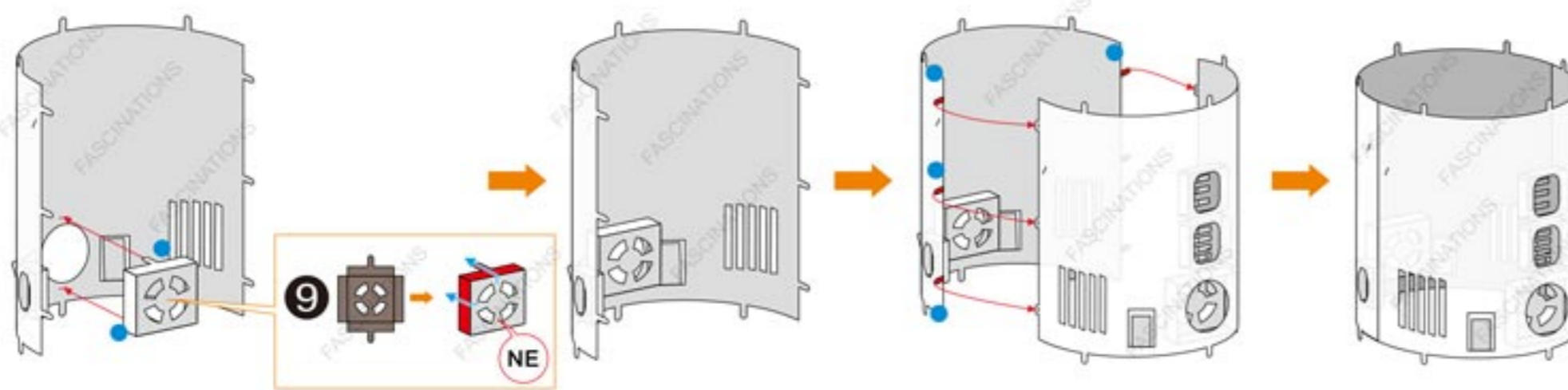
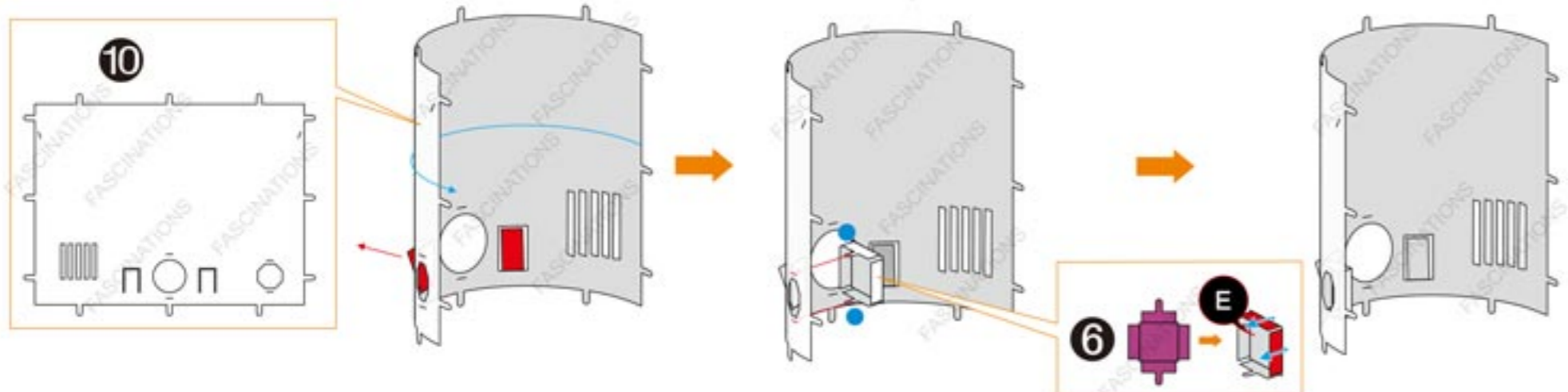
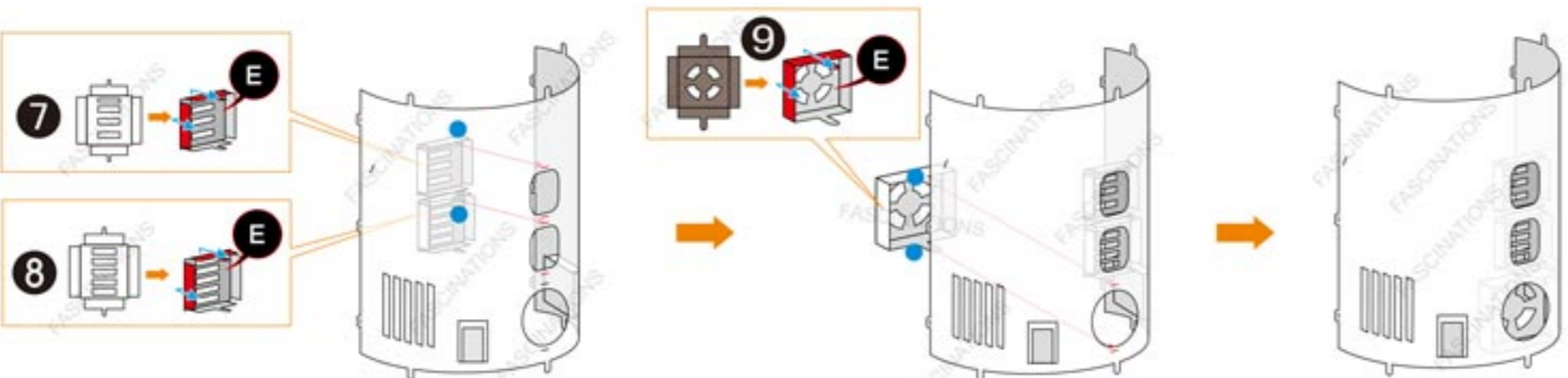
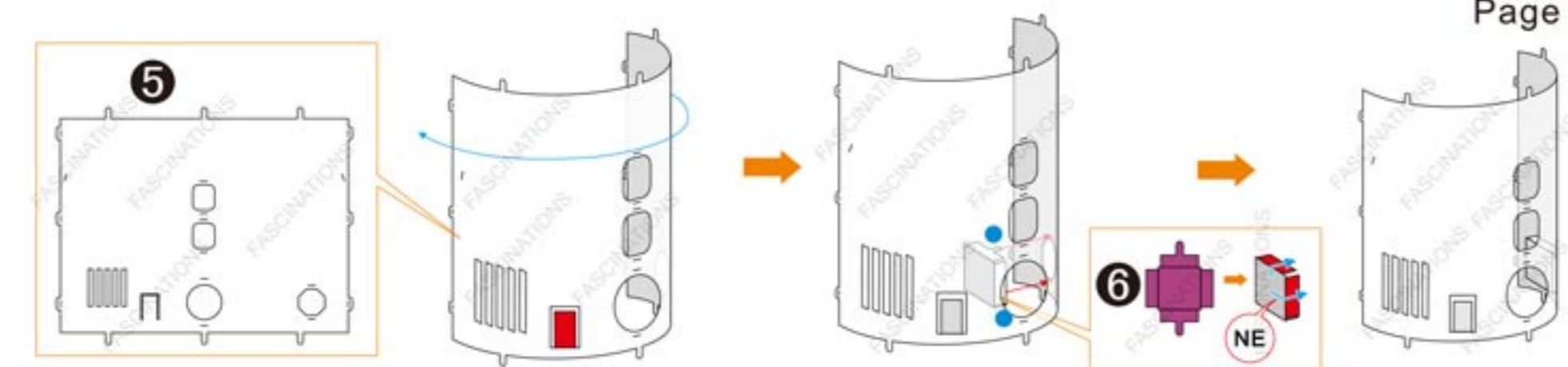


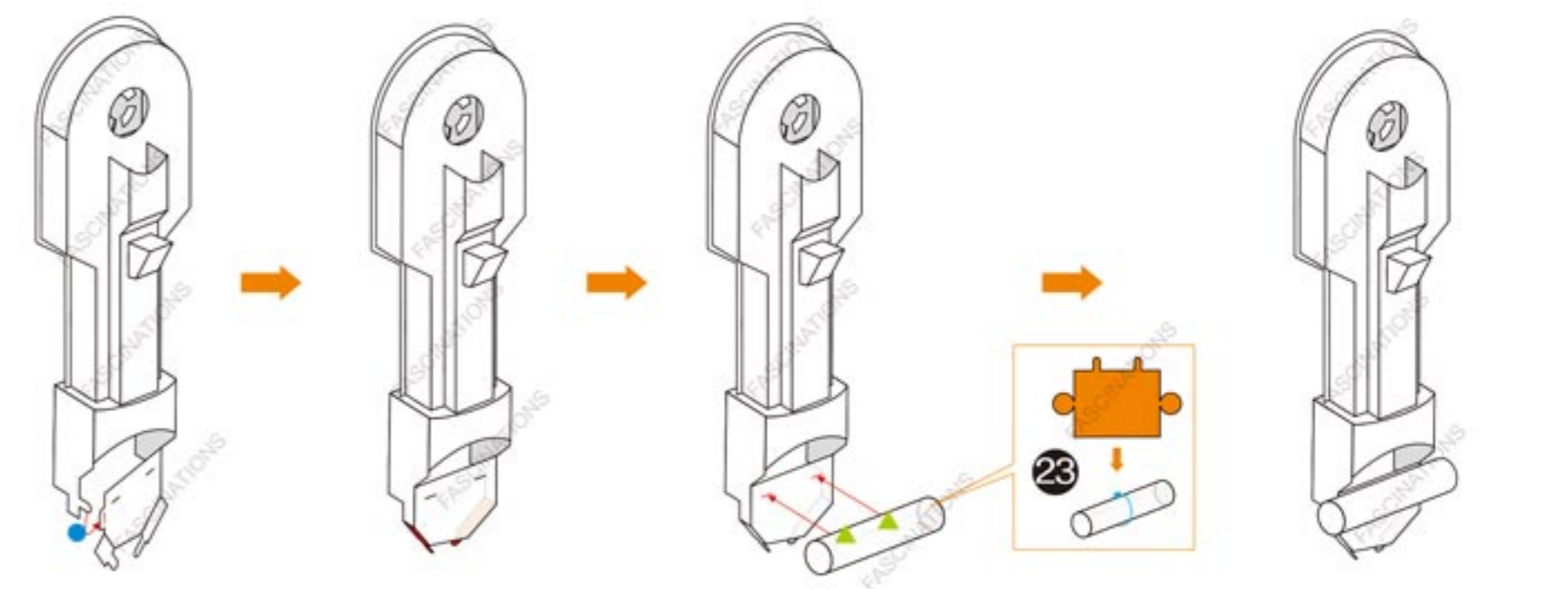
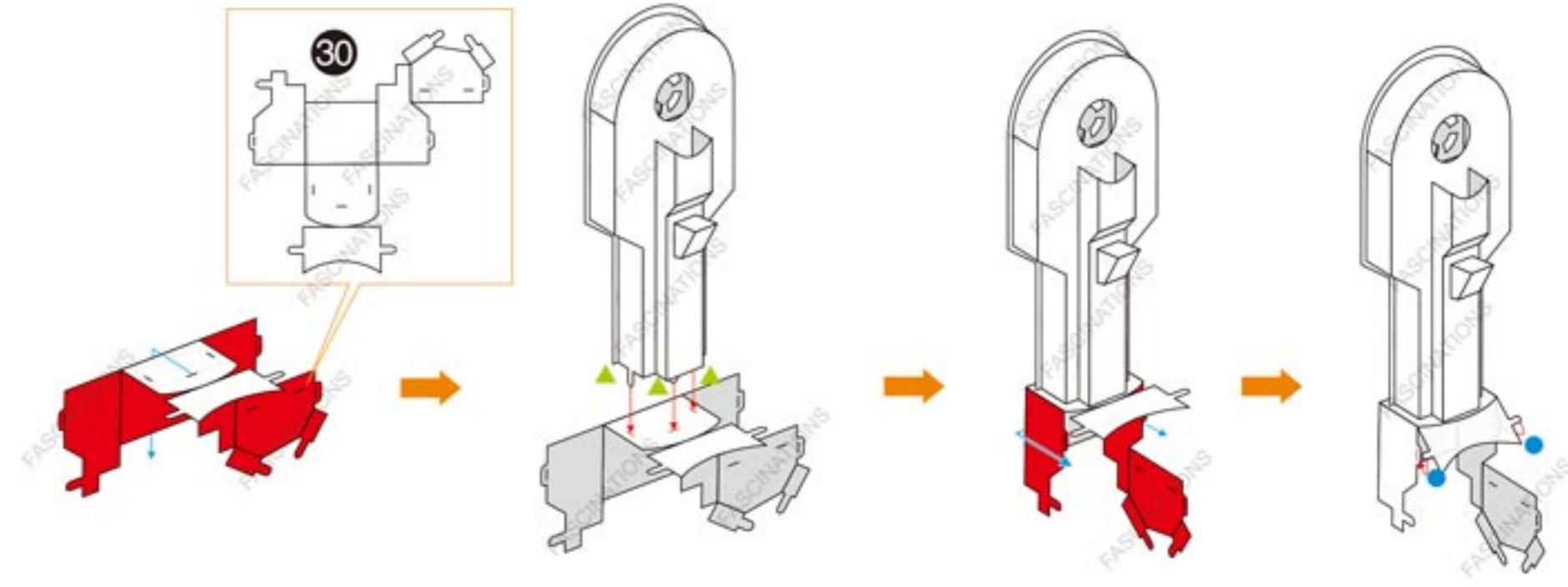
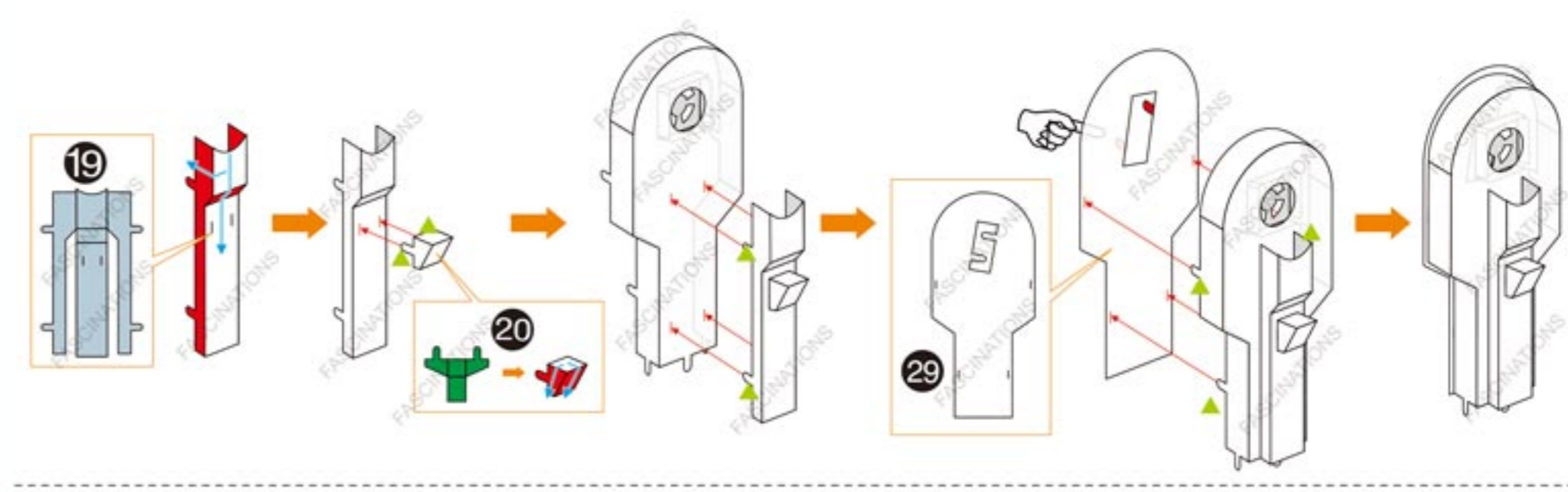
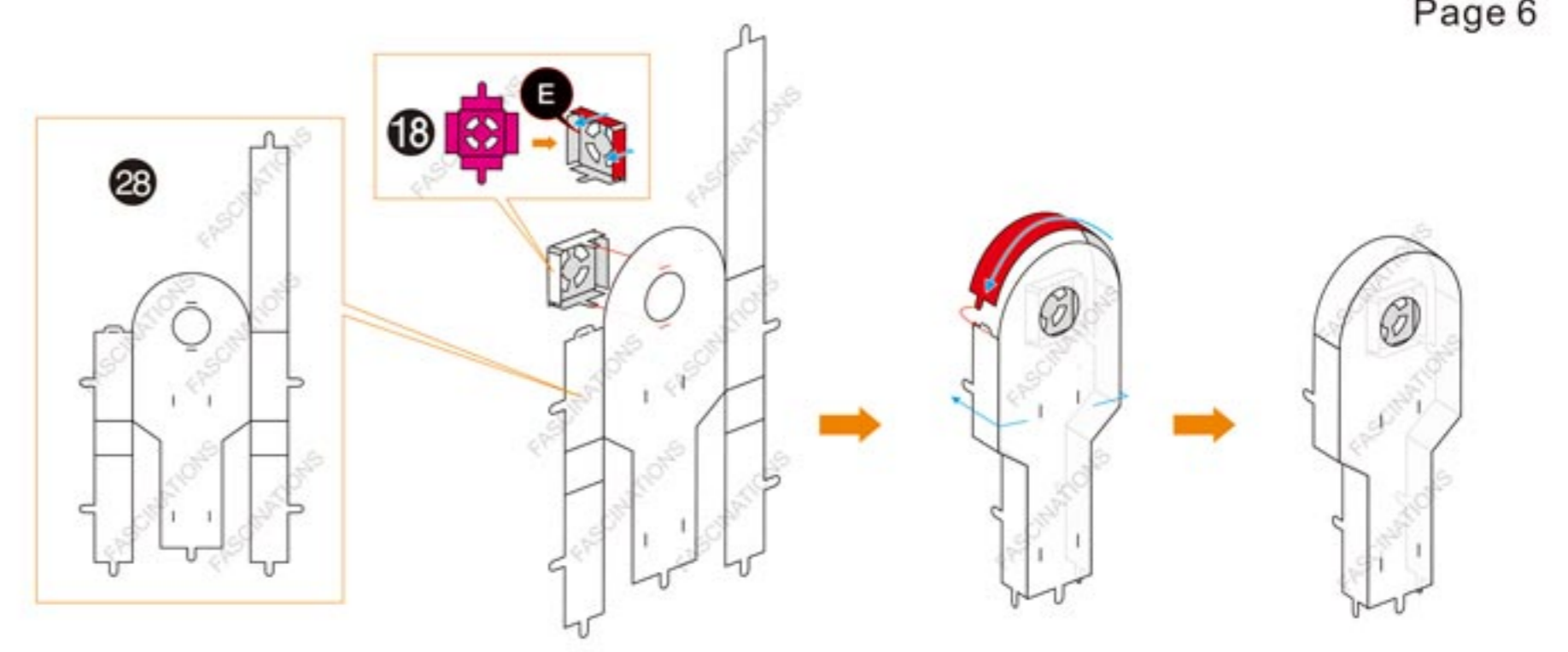
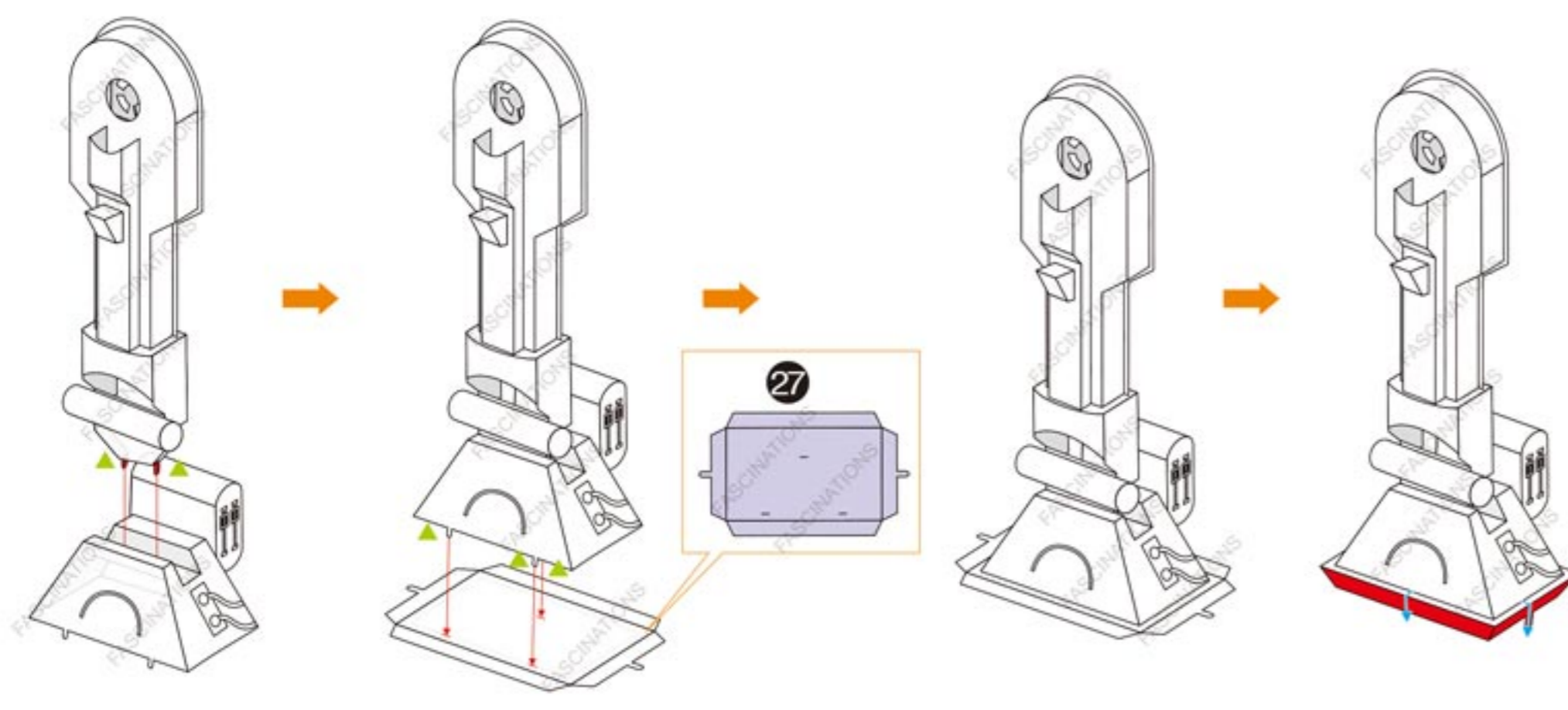
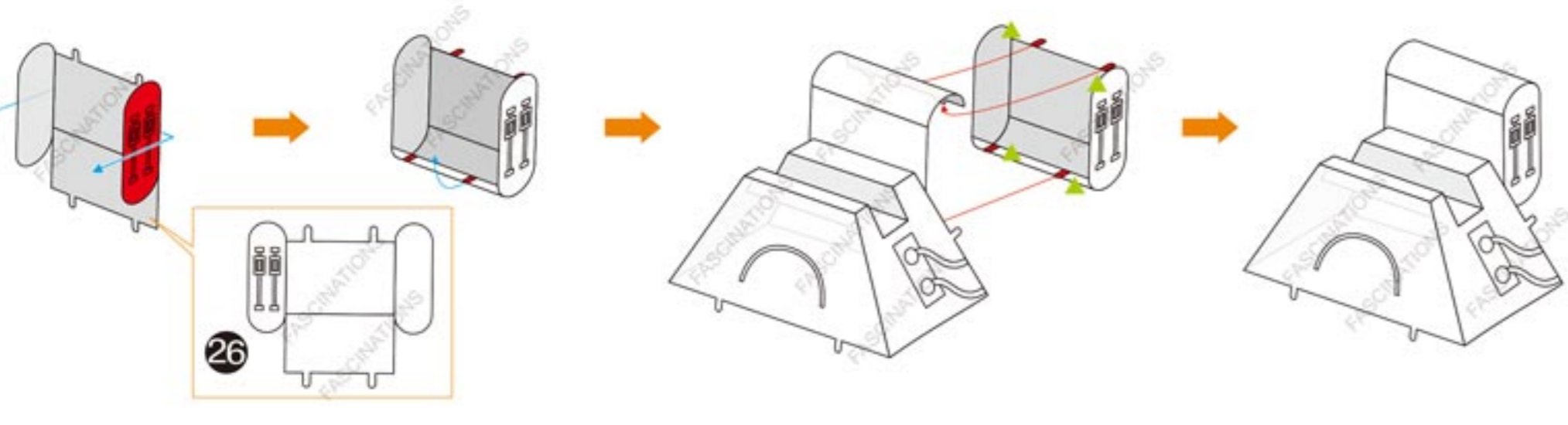
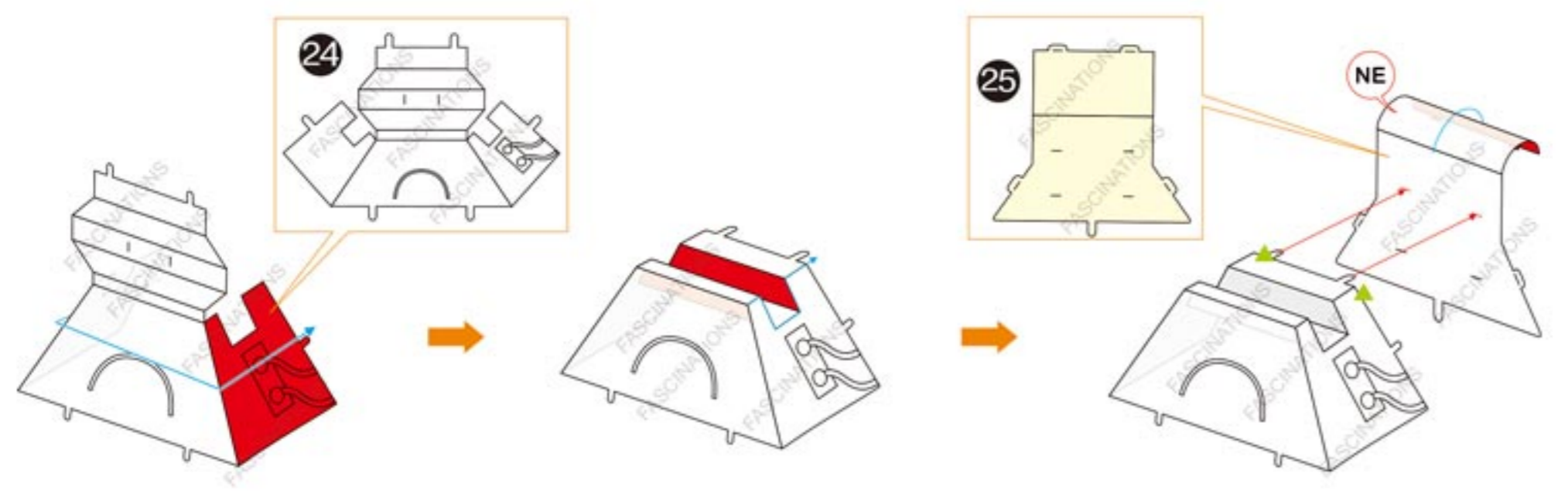
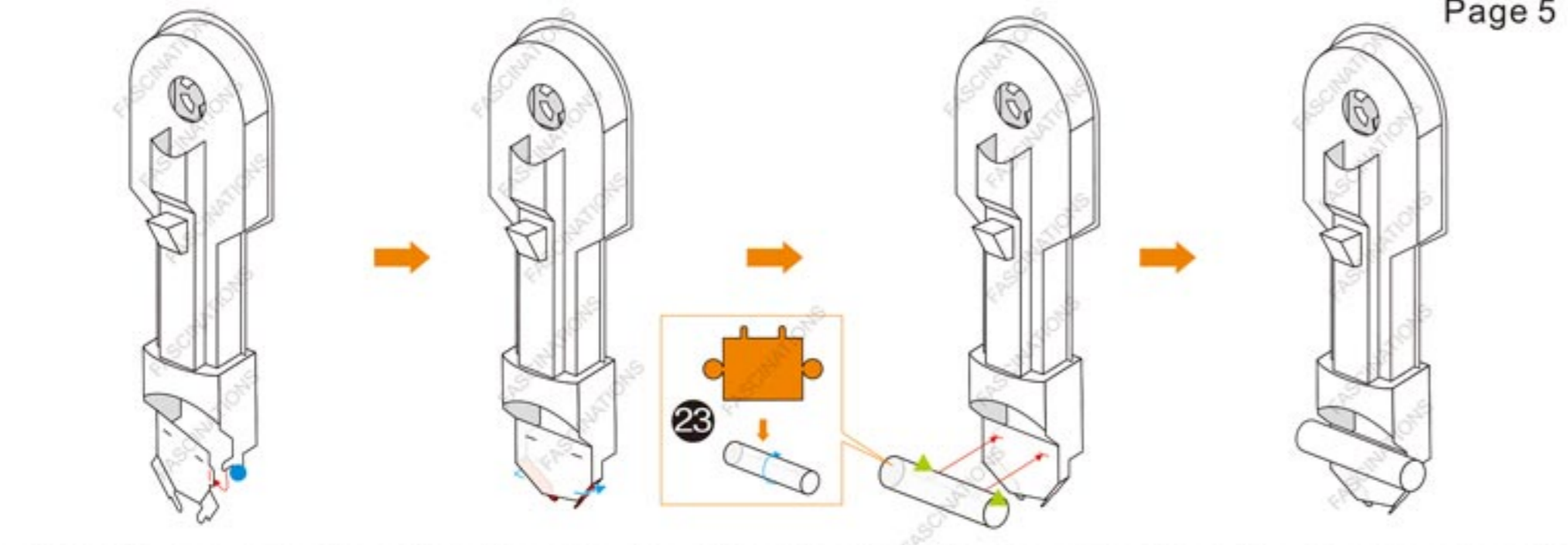
Gold sheet 2

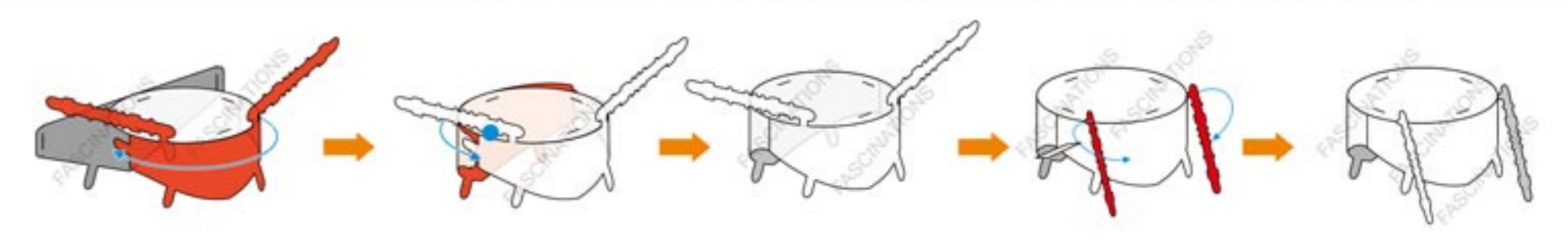
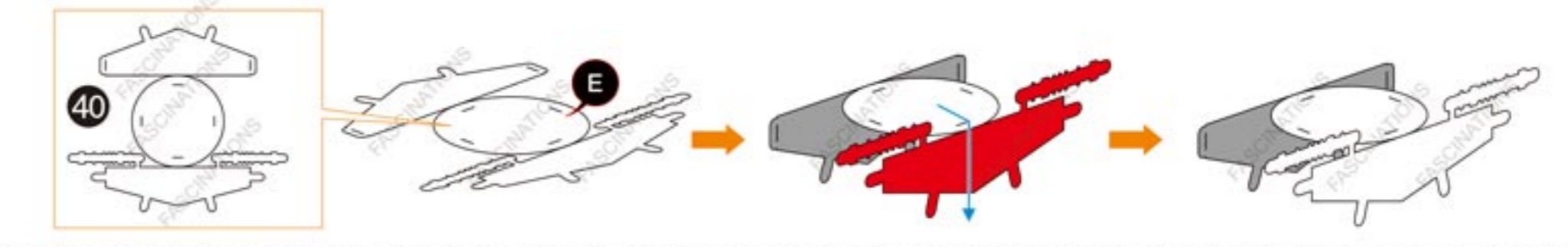
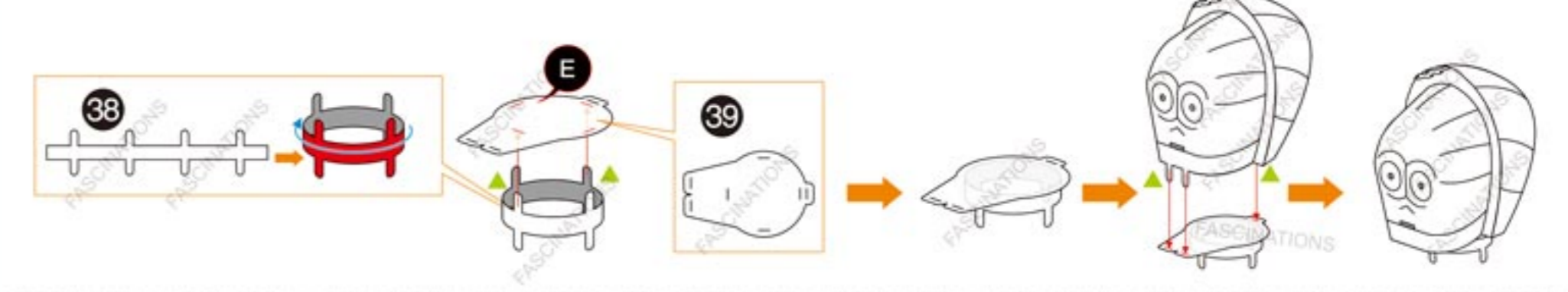
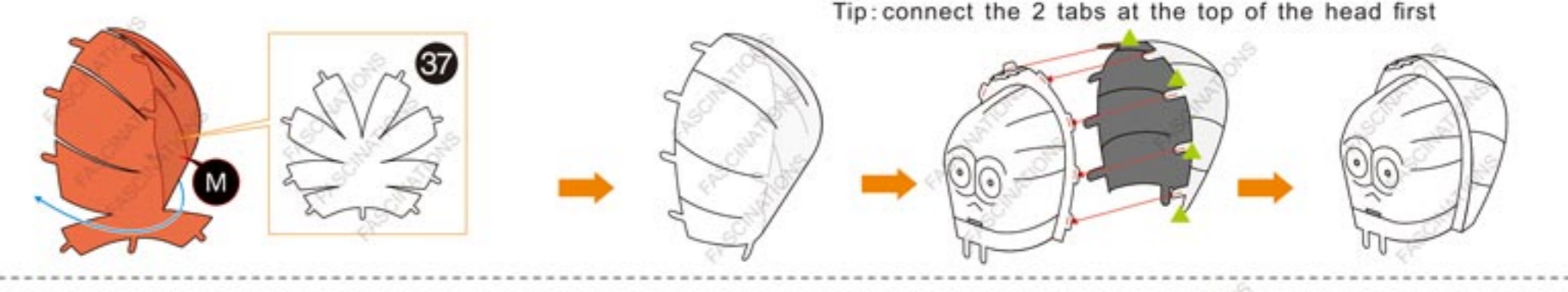
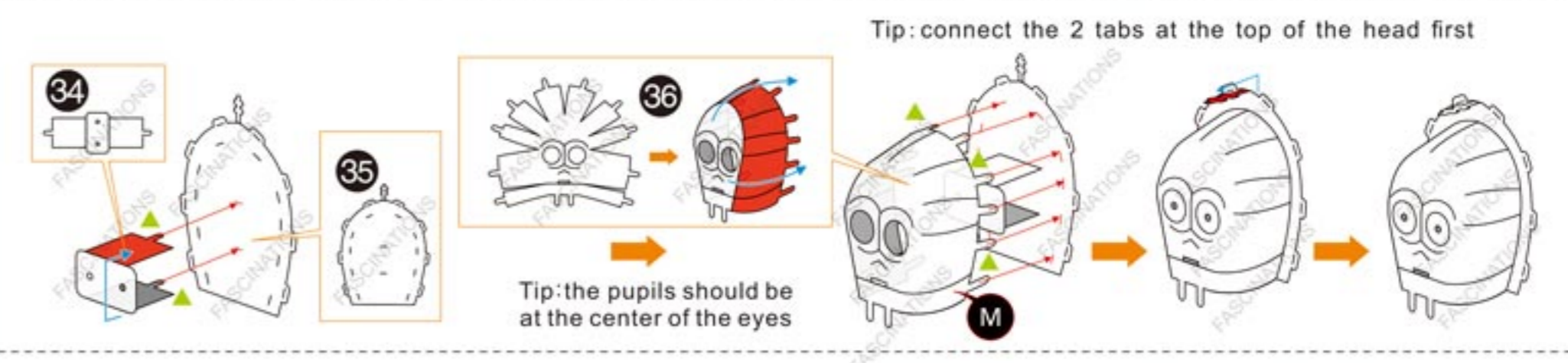
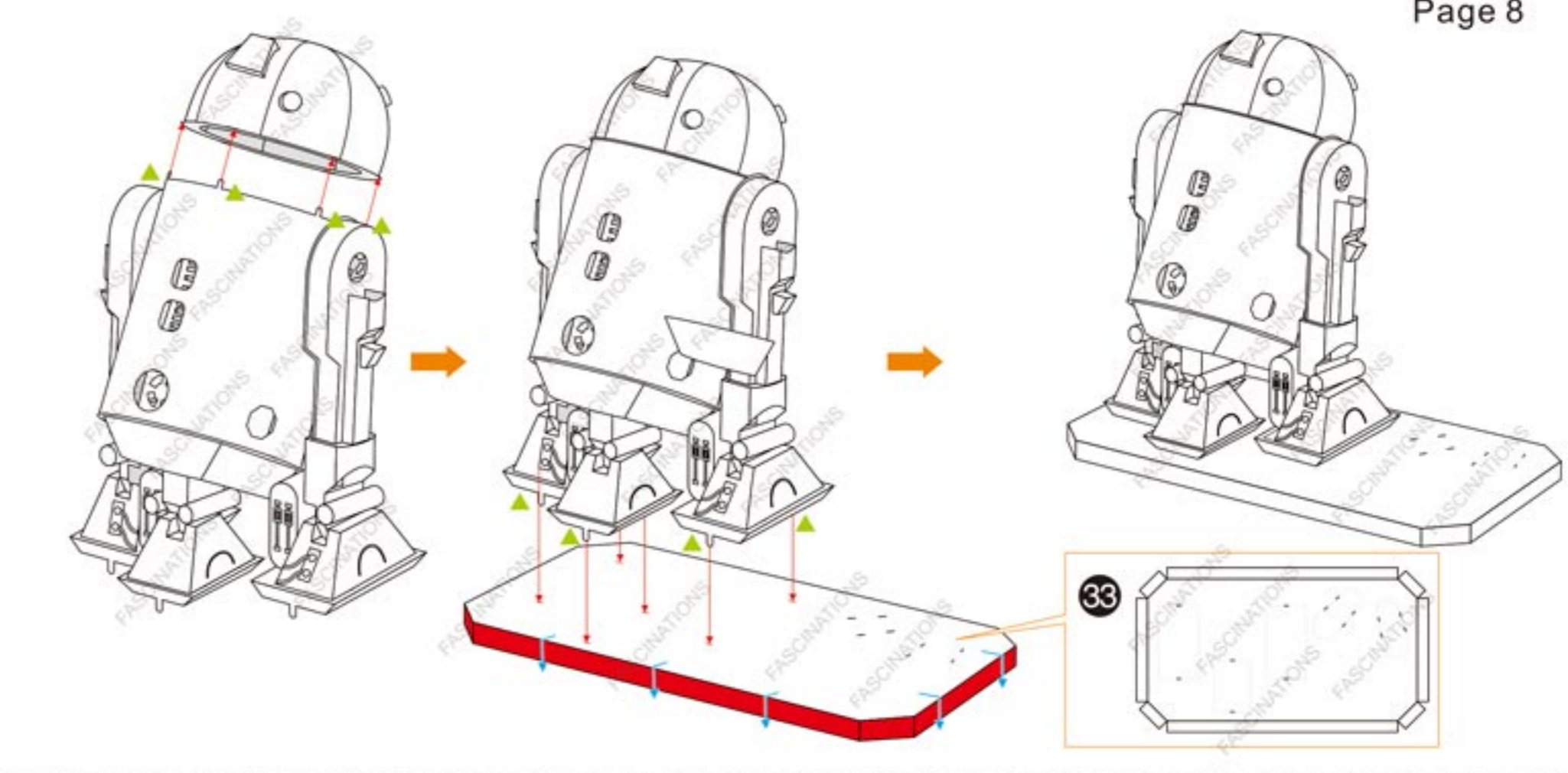
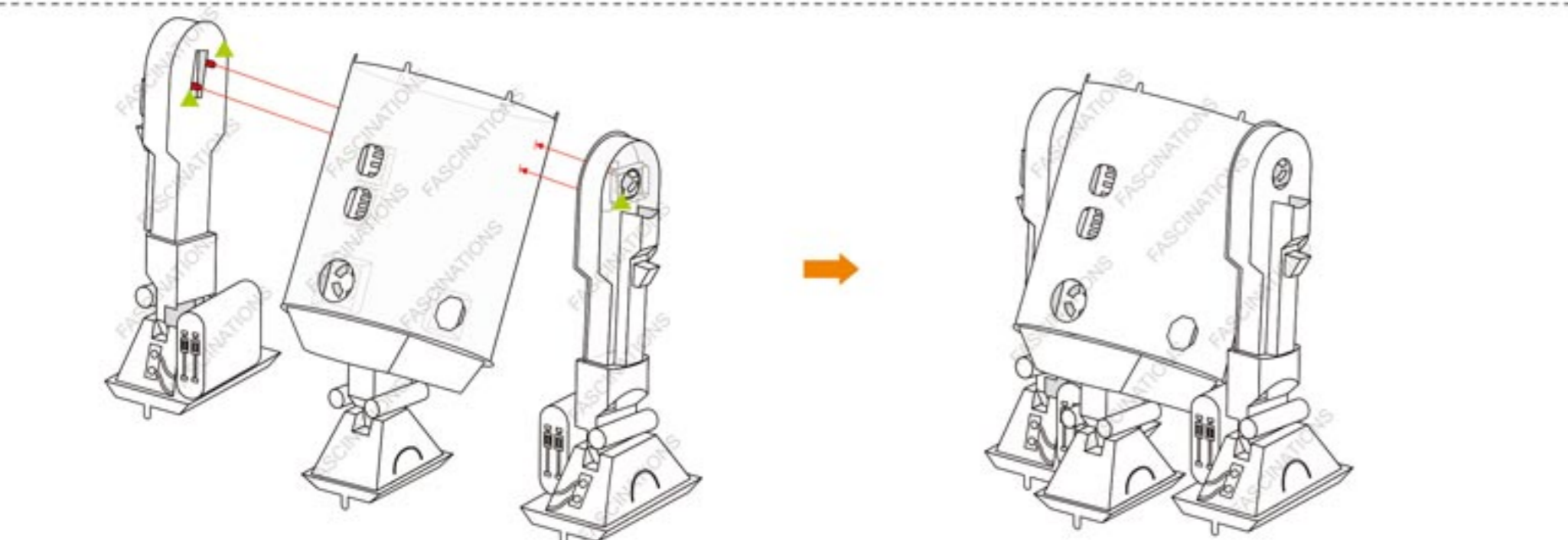
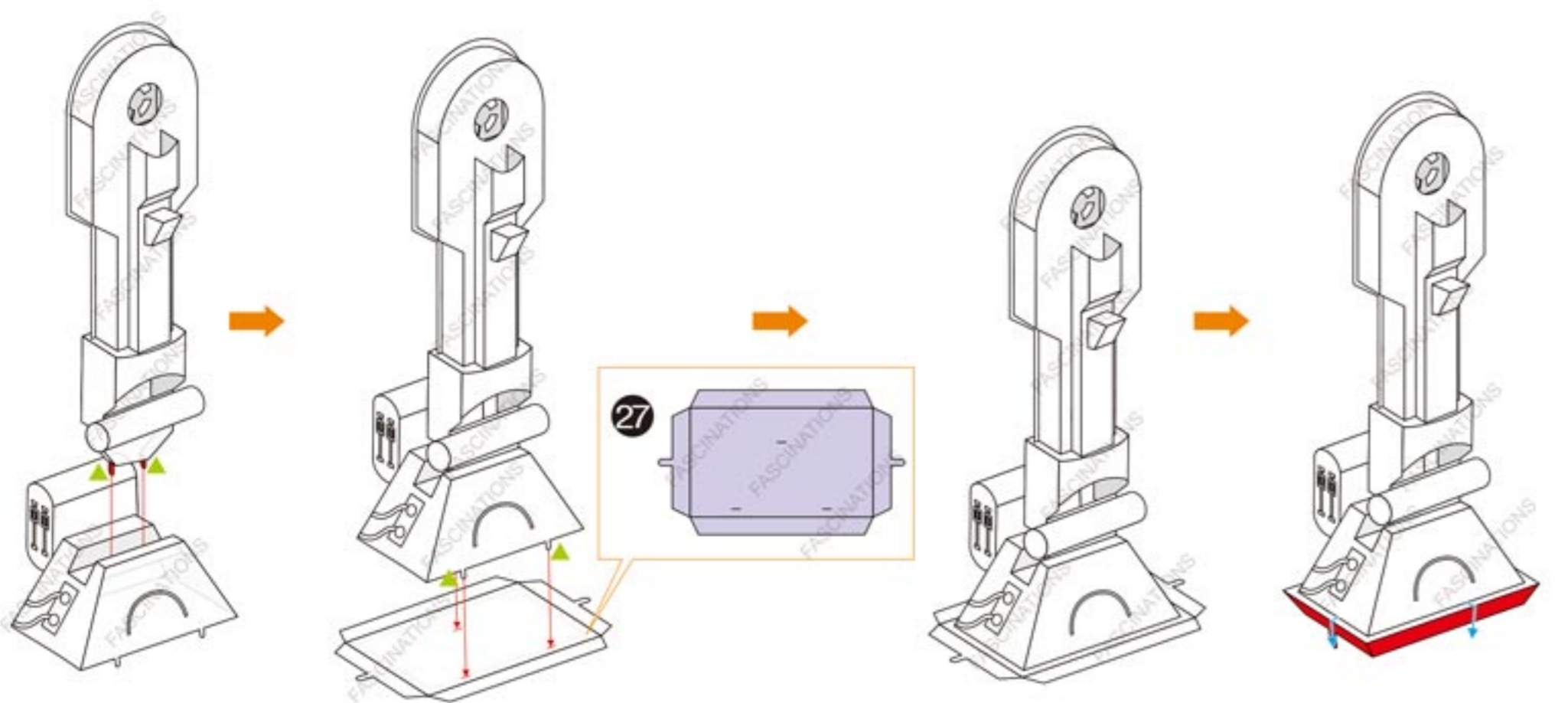
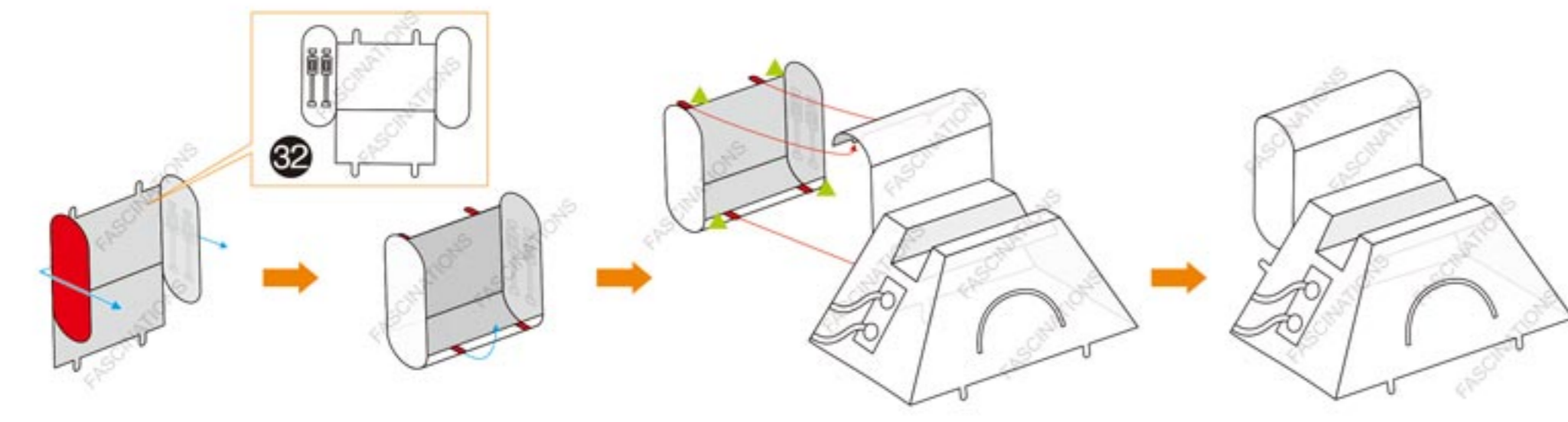
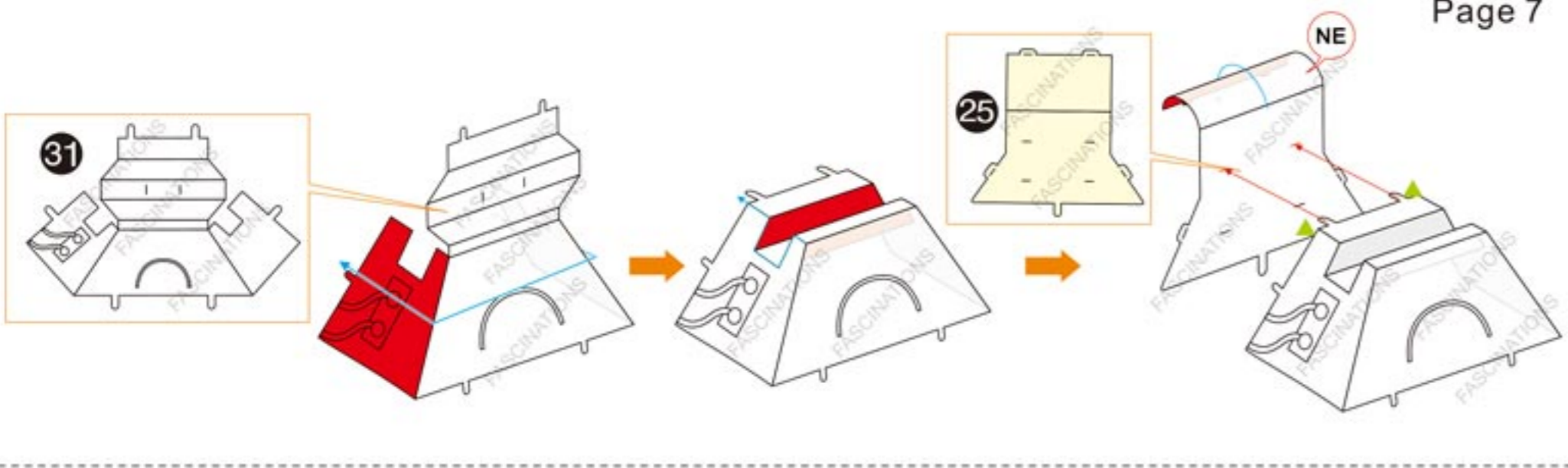


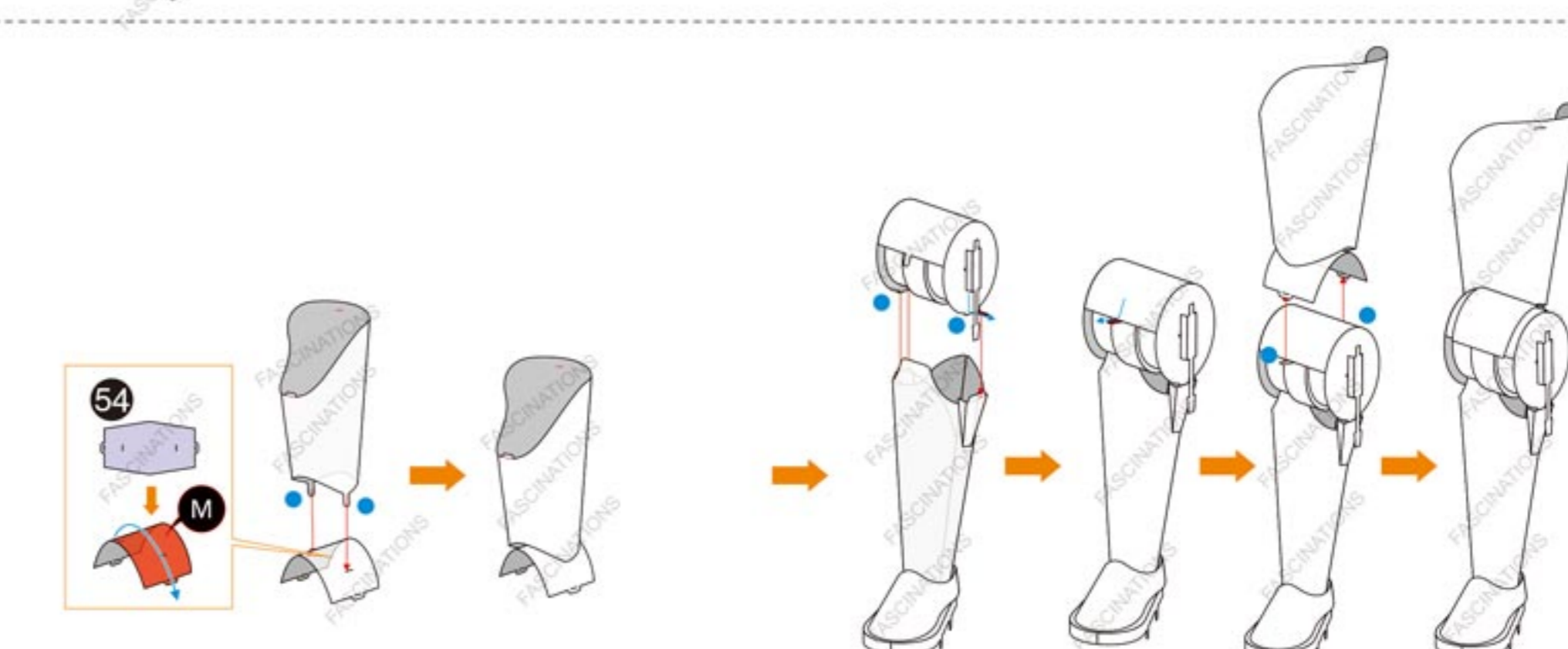
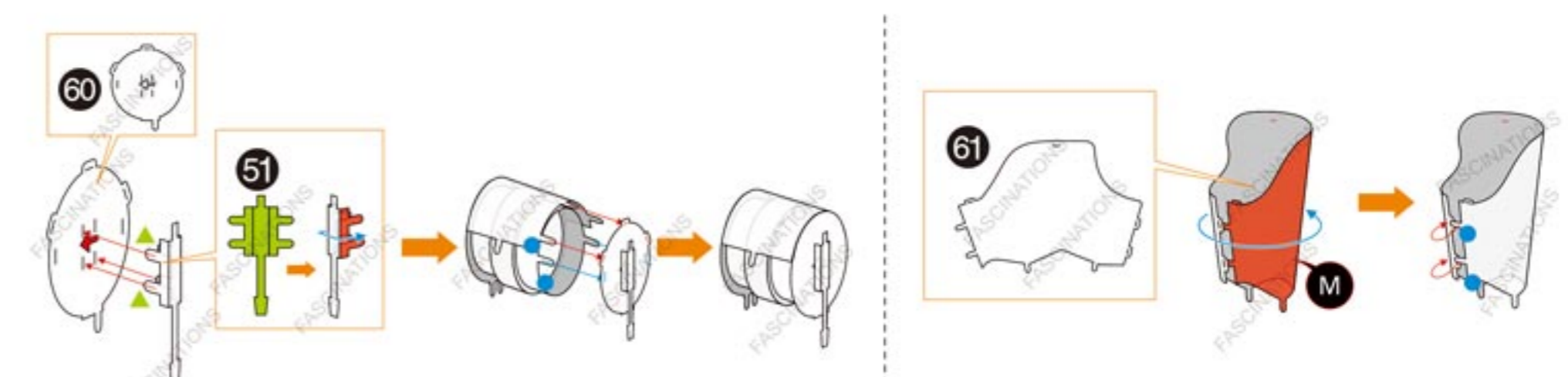
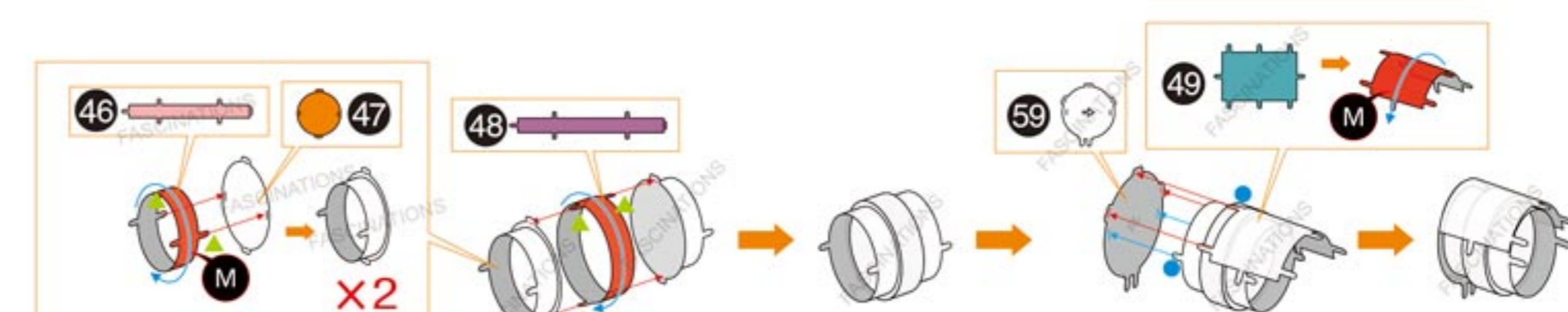
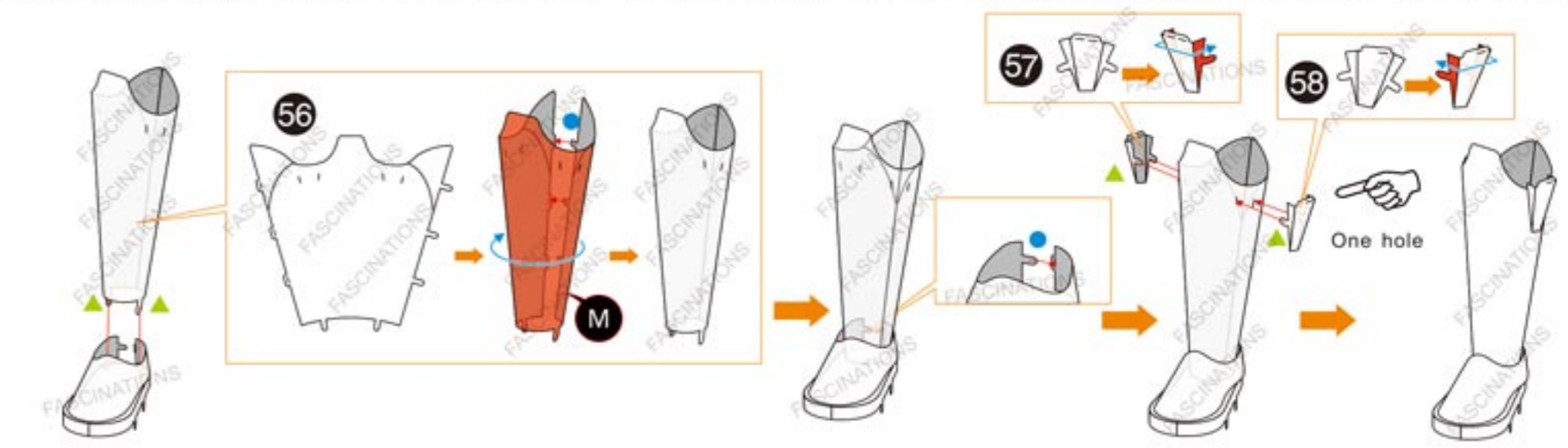
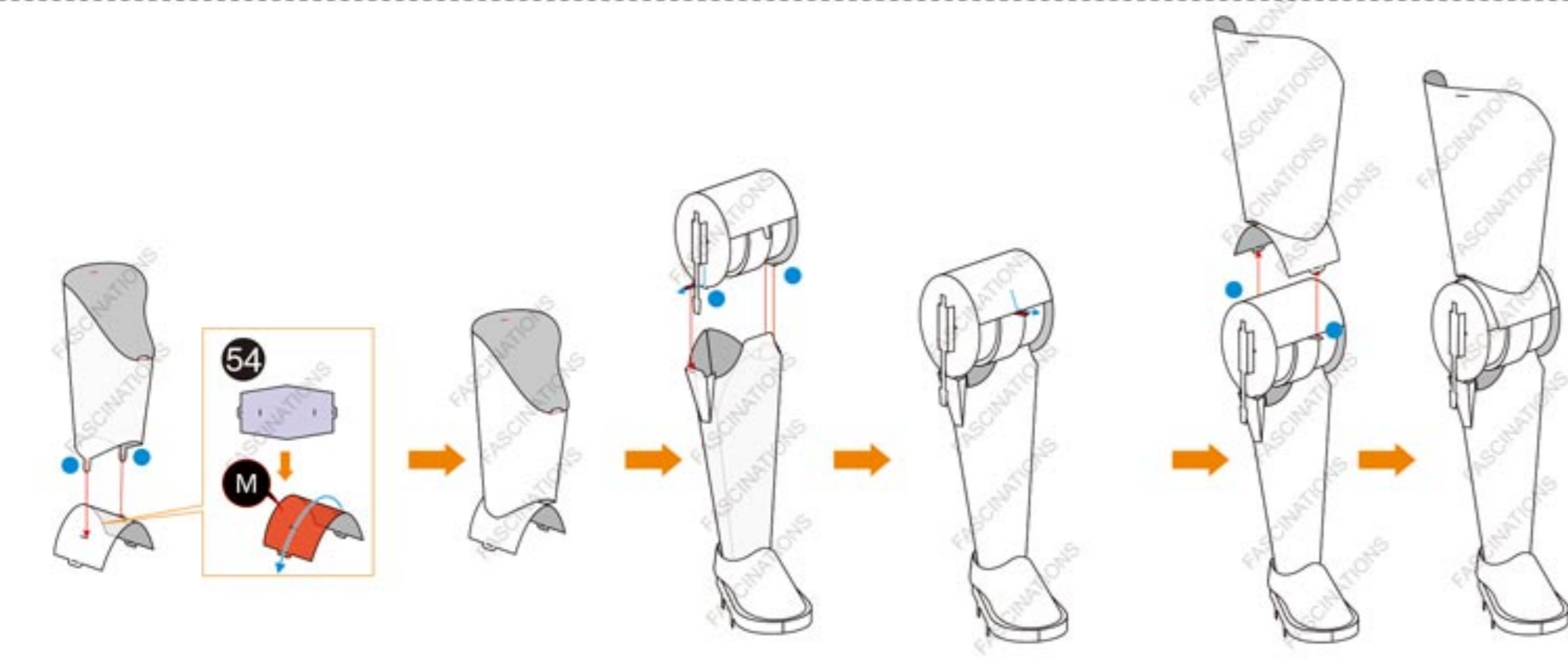
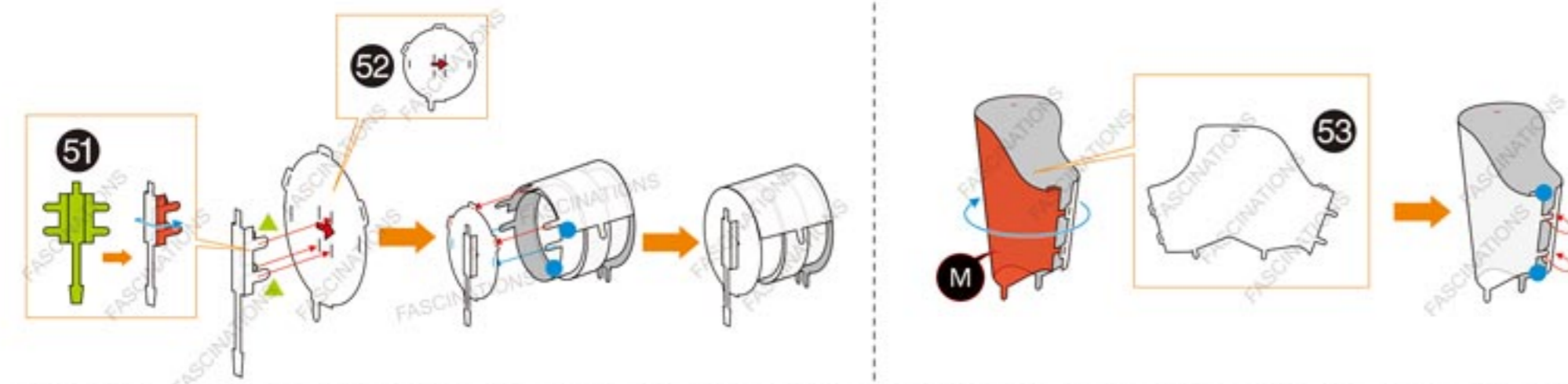
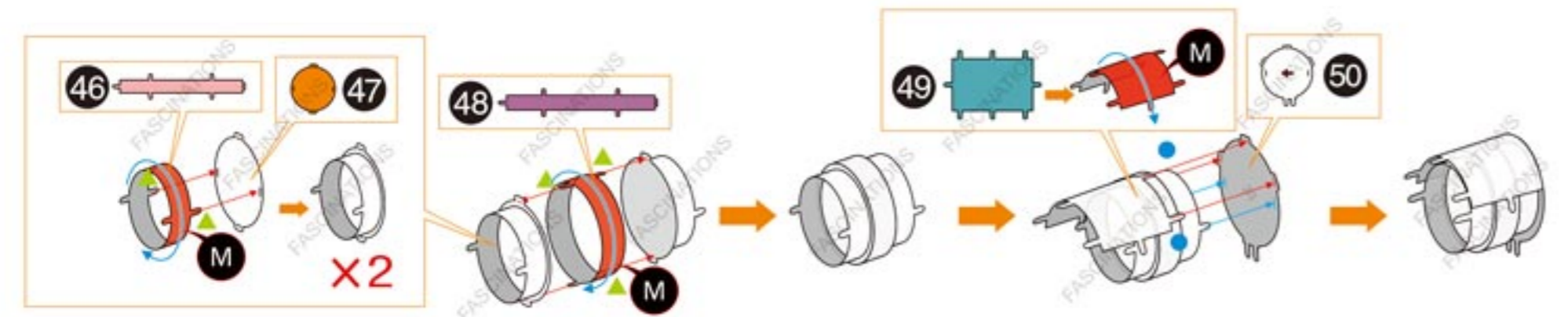
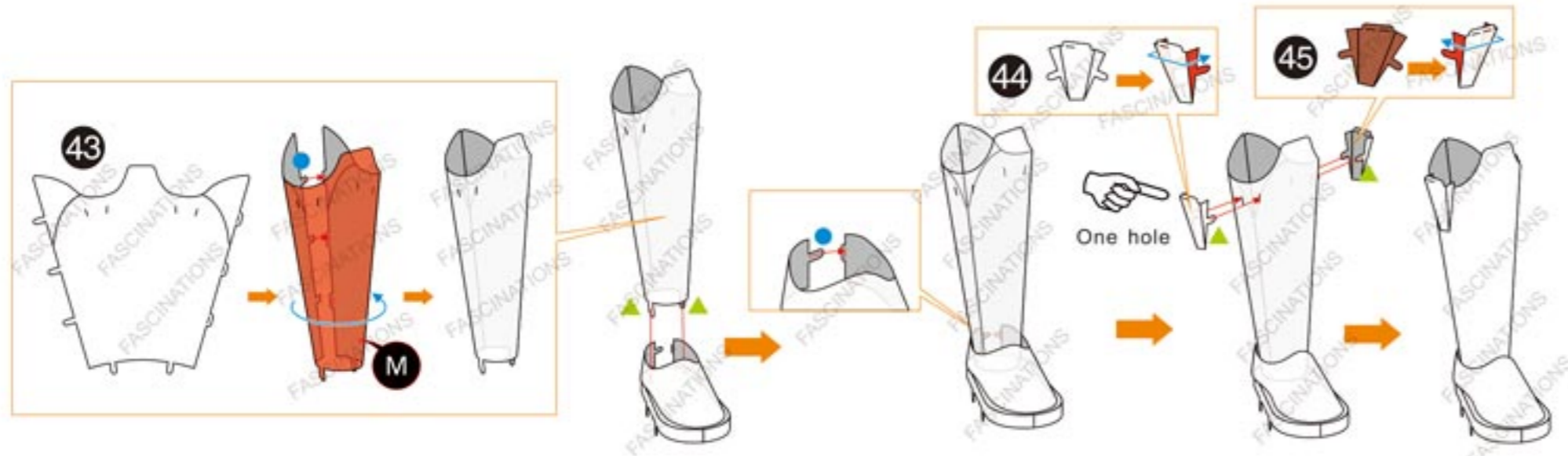
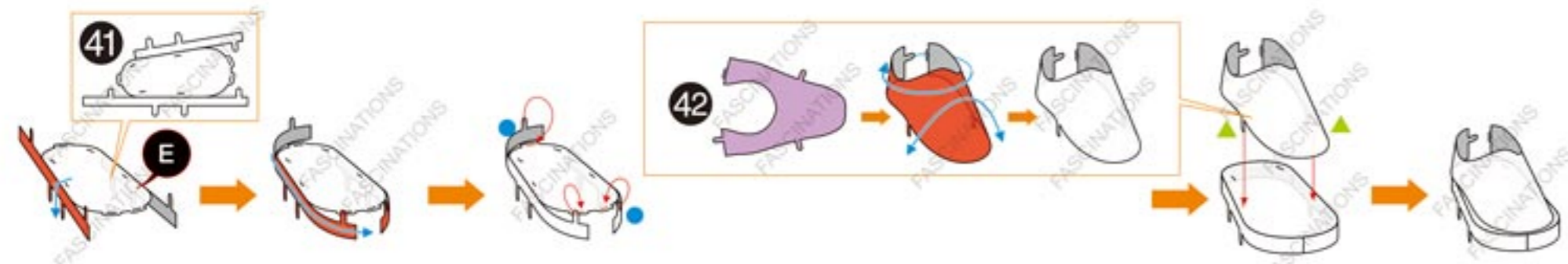
### Assembly Flow Chart



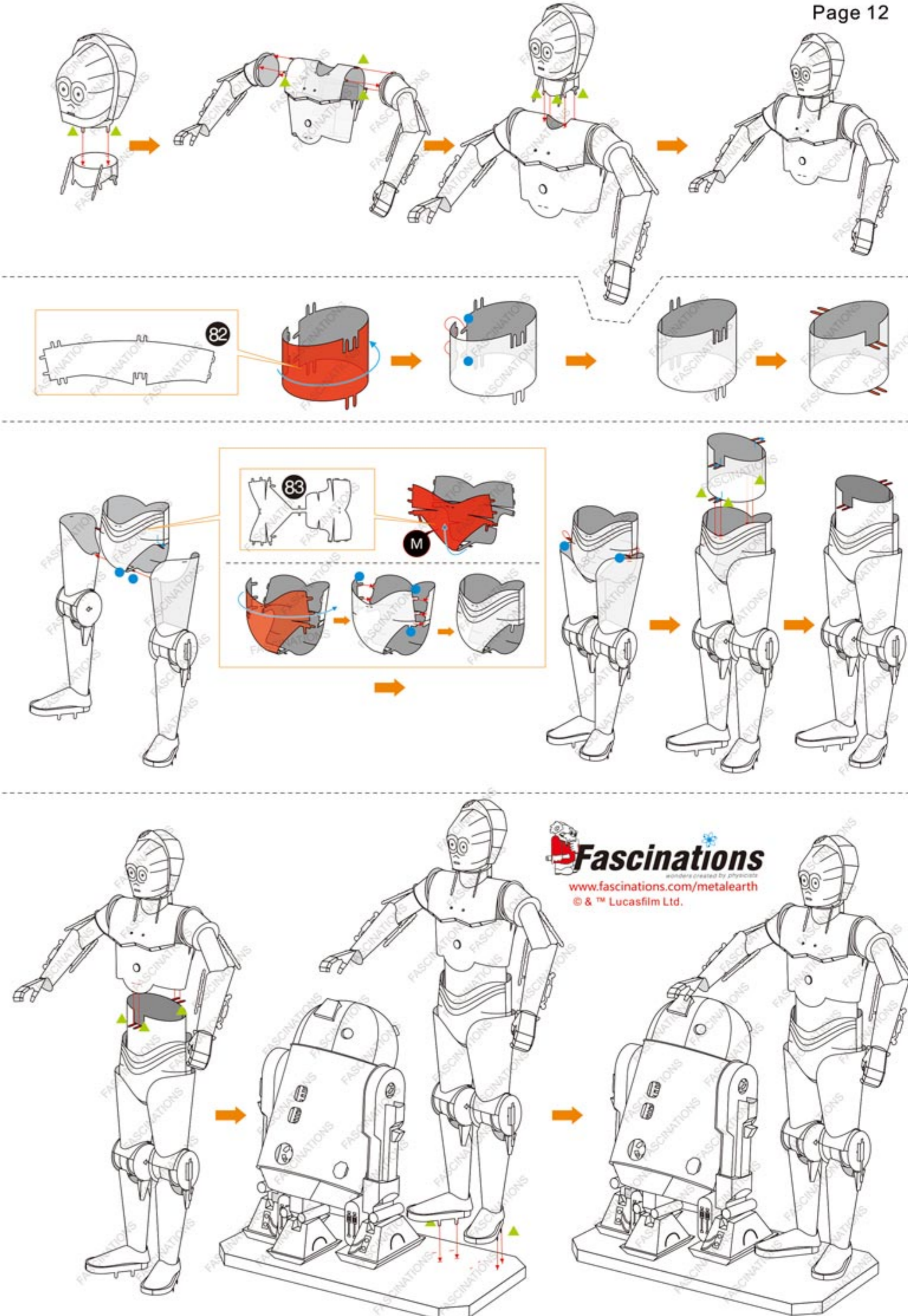
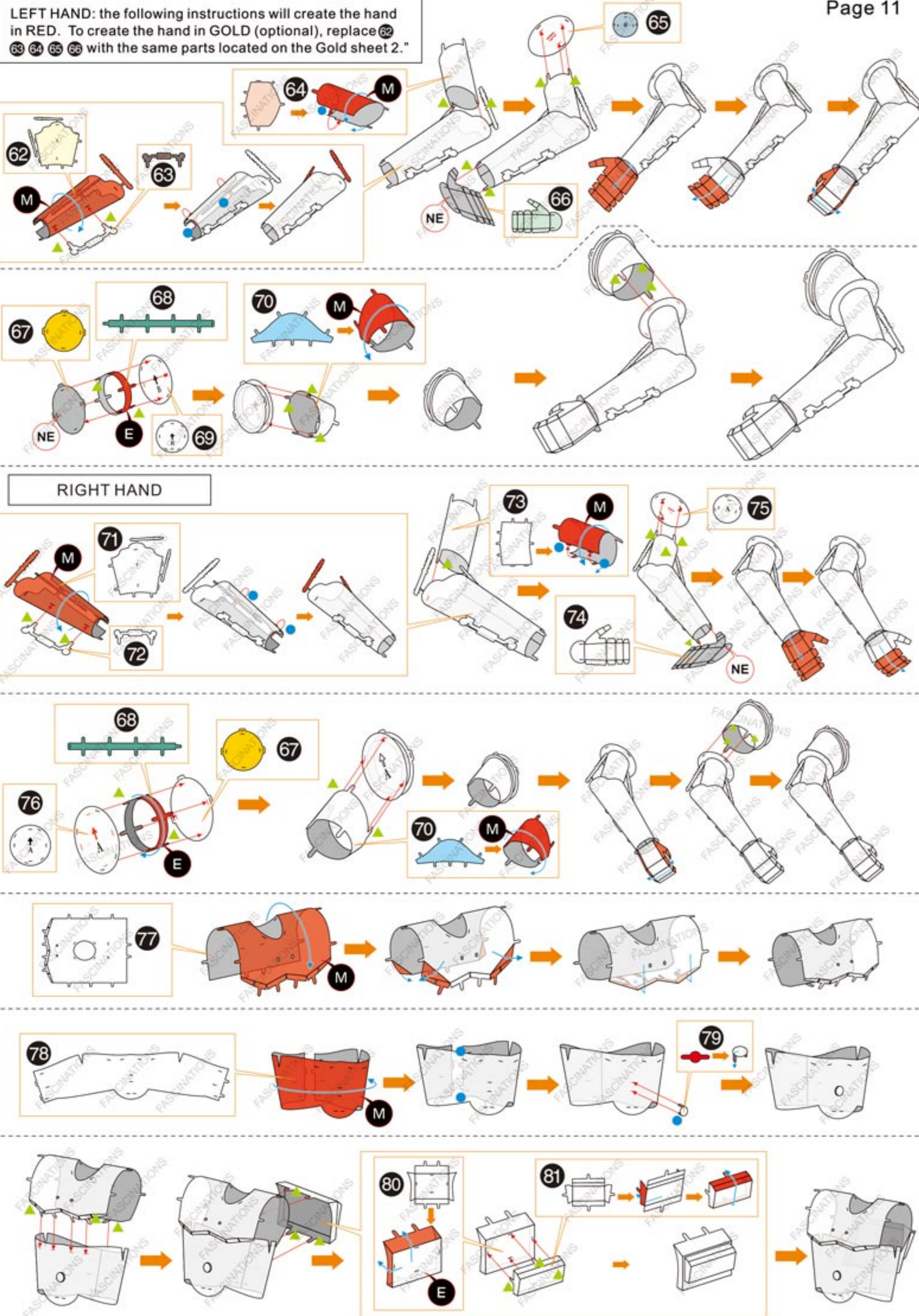








LEFT HAND: the following instructions will create the hand in RED. To create the hand in GOLD (optional), replace 62 63 64 65 66 with the same parts located on the Gold sheet 2."



**Fascinations**  
models created by physicist  
[www.fascinations.com/metalearth](http://www.fascinations.com/metalearth)  
 © & ™ Lucasfilm Ltd.